

TS SYSTEM CATALOG

003	INTRODUCTION
012	CONTENTS
018	TS SYSTEM
116	USER MANUAL

Providing cutting edge technology and superior quality

Making products that dentists want to use,
trust, and are satisfied with :
This is our mission at **OSSEM IMPLANT**

**We are forever grateful
to all the dentists
who have given
unwavering support to
OSSTEM IMPLANT**

Thank you for using Osstem Implant. Osstem, Korea's first implant manufacturer, has secured world-class implant competitiveness through continuous R&D investment and quality innovation. It has grown to become Asia-Pacific No.1 and World No.5 Implant Company. In addition to dental implants and treatment tools, we are leading the development of products that are essential for dentists, including dental equipment, dental materials, and dental IT, and contribute to the development of the dental industry. The comprehensive catalog of the 2018-19 product series published here shows Osstem's technology-rich products. We have focused on catalog structure so that it is convenient to browse and order products. In particular, in the case of fixtures, abutments, and surgical tools, we introduced the diameter, length, and functions in detail.



GBR products are also easy to order by type, size and capacity. In addition, the product release date and time are displayed so that customers can understand when the existing product is released and what the newly released product is. We also introduced the CAD/CAM product in terms of preparing the digital dentistry, a major trend in the dentistry. In terms of design, we also implemented high-quality images of representative products by specification. By applying representative colors for each product system, it is easy to sort by category. We hope this will help you effectively find and purchase the products you need from the dental clinic of 2018-19. Osstem Implant will continue to develop products that the dentist can trust. We will work to create greater customer value. Thank you.

CEO of OSSTEM IMPLANT
Choi Kyu-ok (DDS.Ph.D)

A handwritten signature in black ink, appearing to read 'Choi Kyu-ok', written in a cursive style.

Worldwide & History



1997

- 01** Established 'Osstem Co., Ltd.'
- 12** Released 'Doobunae' (health insurance claim application software program)

2000

- 06** Released 'Hanaro' (dentistry management software)
- 10** Acquired sumin comprehensive dental materials

2001

- 01** Obtained CE-0434 certification
- 03** Established AIC training center

2002

- 01** Established Osstem Implant R&D center
- 08** Obtained FDA certification, launched USII line
- 10** Launched SSII line

2006

- 03** Changed the company name to Osstem Implant Co., Ltd
- 04** Obtained GOST-R certification (russia)
- 12** Established 12 overseas branches (first round)

2007

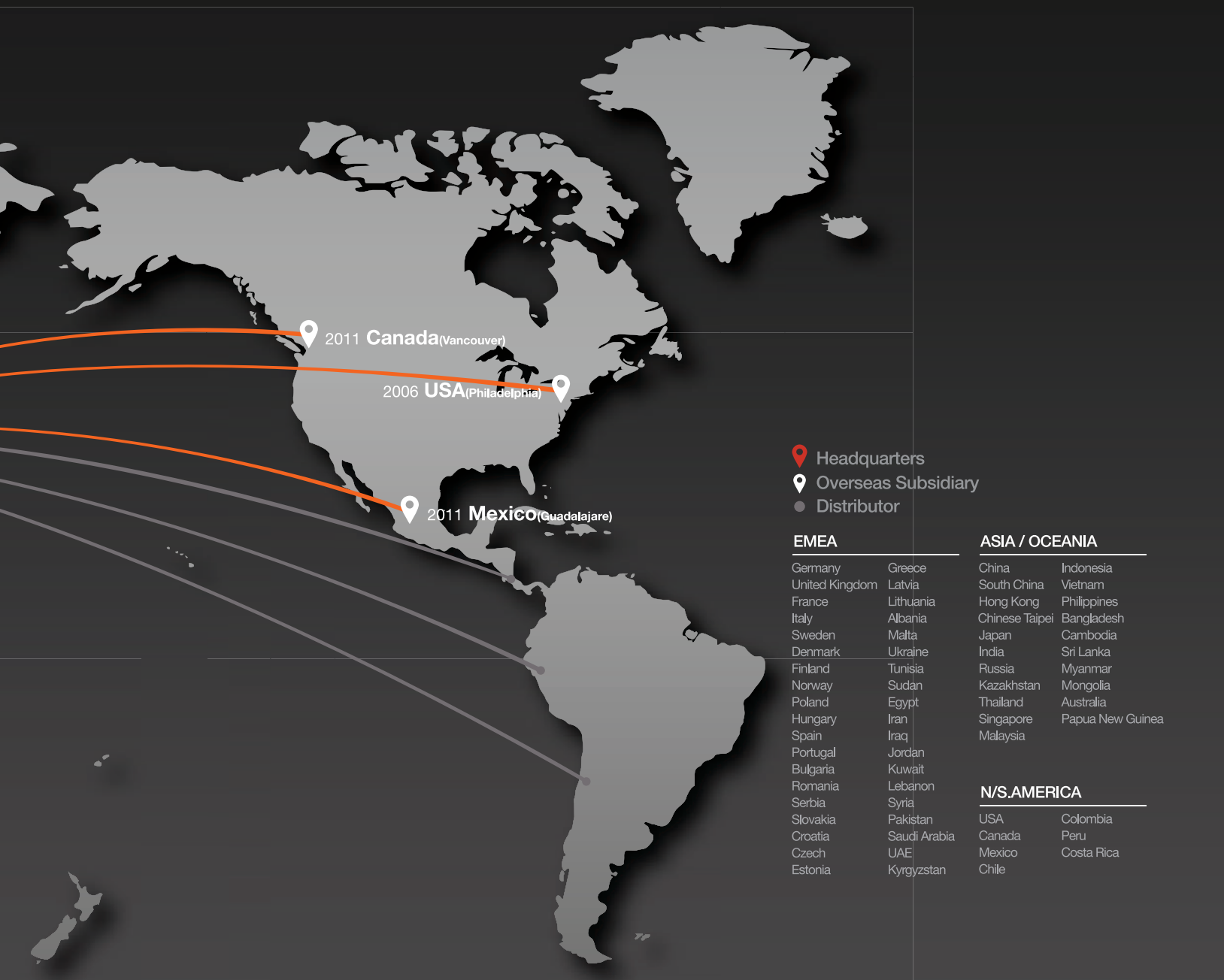
- 02** Listed on KOSDAQ and began trading publicly
- 06** Selected as No.1 products for the next generation and obtained TGA certification (australia)

2008

- 01** Established osstem bone science research center
- 12** Selected as a managing organization for the national strategic technology development project

2009

- 10** Obtained approval for medical device manufacturing and sale from the ministry of health, labor and welfare, japan



2010

- 03 Launched TSIII SA line
- 06 Launched TSIII HA line

2012

- 06 Launched TSIII CA line
- 07 Established osstem dental equipment research institute

2014

- 05 Selected as 'World Class 300'
- 05 Released 'HyFlex', an impression material
- 08 Released 'BeuTis' whitening material

2016

- 01 Established Vussen Co., Ltd.
- 03 Acquired Cardiotec Co., Ltd.
- 08 Acquired Hubit Co., Ltd.
- 11 Launched OneGuide system

2011

- 06 Osstem Implant R&D center was selected as ATC (advanced technology center)
- 07 Selected as 'World Champ' business
- 12 Launched 'K2 unit chair', which was selected as a 'World Class Product'

2013

- 01 Launched osstem xenograft material 'A-Oss'
- 09 Launched 'K3 unit chair'
- 10 Selected as a 'Hidden Champion' company

2015

- 03 Established Osstem BioPharma Co., Ltd.
- 12 Awarded 'USD 50 Million Export Tower'

2017

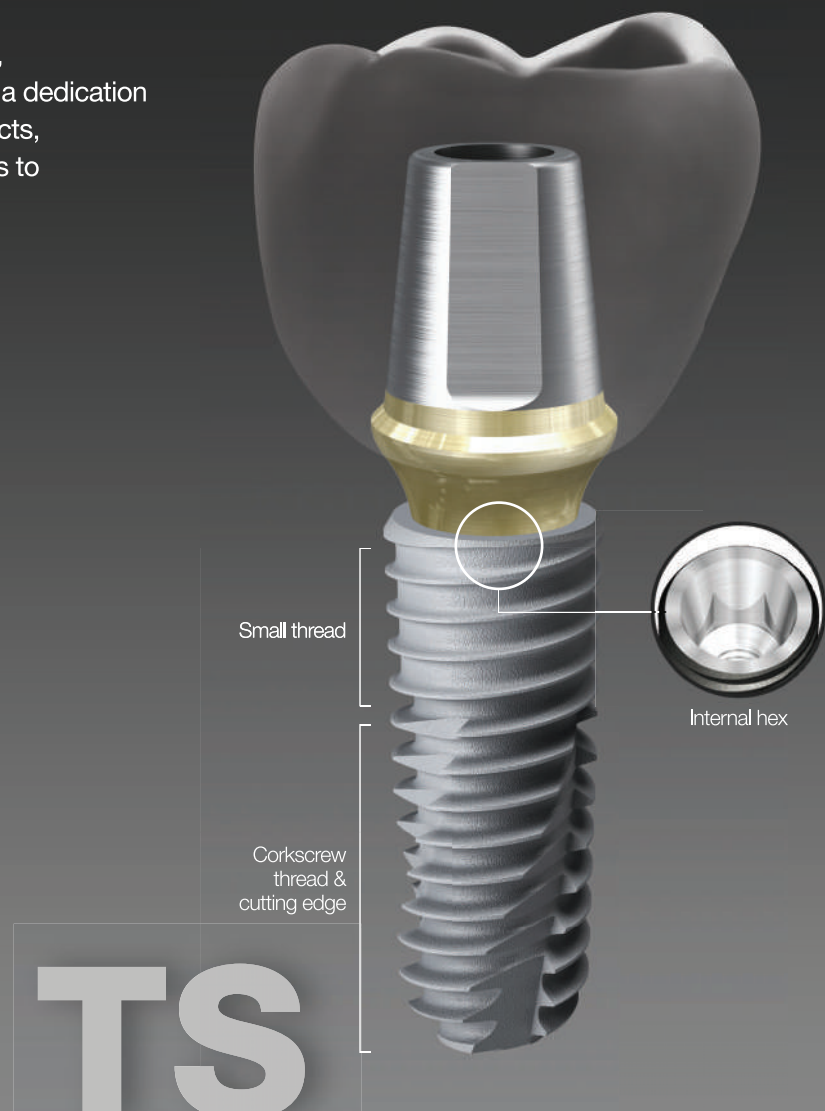
- 12 2017 presidential commendation for job creation

2018

- 01 TS exceeded 10 million production

OSSTEM[®] Implant Design feature

OSSTEM IMPLANT has revolutionized implant dentistry in South Korea. With a focus on aggressive R&D, a commitment to education and a dedication to manufacturing the best products, Osstem Implant's ultimate goal is to become the global leader in implant dentistry.



Submerged type implant with an internal hex and 11 tapered connection

- Internal connection type - Mini / Regular
- Excellent initial stability in soft bone due to smaller threads in the upper section
- Corkscrew thread with cutting edges
 - Strong self-threading effect for easy fixture path
 - Higher initial stability and consistent insertion torque
- Different body types to properly match the patient's bone quality and clinical condition
 - TSII (straight body) : easy to adjust depth
 - TSIII (1.5° tapered body) : excellent initial stability necessary for immediate loading, even in soft bone
 - TSIV (6° tapered body) : specifically designed for the maxillary sinus and soft bone, excellent initial stability
- Available surface types - SA / CA / HA / BA / SOI



Each implant system has its own unique color code



Non-submerged type implant with an internal octa and 8 tapered connection

- Internal connection type - Regular / Wide
- Corkscrew thread with cutting edges
 - Strong self-threading effect for easy fixture path
 - Higher initial stability and consistent insertion torque
- Different body types to properly match the patient's bone quality and clinical condition
 - SSII (straight body) : easy to adjust the insertion depth
 - SSIII (1.5° tapered body) : excellent initial stability necessary for immediate loading, even in soft bone
- Available surface types - SA / CA / HA / BA

Submerged type implant with an external hex connection structure

- Internal connection type - Mini / Regular / Wide / Wide PS
- Corkscrew thread with cutting edges
 - Strong self-threading effect for easy fixture path
 - Higher initial stability and consistent insertion torque
- Different body types to properly match the patient's bone quality and clinical condition
 - USII (straight body) : easy to adjust the insertion depth
 - USIII (1.5° tapered body) : excellent initial stability necessary for immediate loading, even in soft bone
 - USIV (6° tapered body) : specifically designed for the maxillary sinus and soft bone, excellent initial stability
- Available surface types - SA / CA

OSSTEM⁶ Implant Surface feature

The key factor in providing implant treatment safely and efficiently is surface technology.

OSSTEM IMPLANT is proud of its cutting-edge surface technology.

SA CA HA

Acid Treated Optimized Surface

- Ra 2.5~3.0 μ m surface roughness (note : the upper 0.5mm part of the implant has Ra 0.5~0.6 μ m)
- Consistent surface micro pits between 1 to 3 μ m
- Surface area is increased by 46 percent compared to RBM treated implants

In-vitro & In-vivo Bone Response

- 20% improvement in osteoblast separation and ossification compared to RBM
- Initial bone reaction performance in animal model (mini-pig)
 - 48% improvement in initial stability (RT, 4 weeks) compared to RBM
 - 20% improvement in ossification (BIC, 4 weeks) compared to RBM

Super-hydrophilic SA surface suspended in a calcium solution

- Same SA surface morphology
- Optimizing surface reaction by suspension in a calcium (CaCl₂) solution
- Increased new bone formation area due to the excellent blood wettability
- Bone response improved in early osseointegration stage compared to standard SA surface

In-vitro & In-vivo Bone Response

- Protein and cellular adhesion tripled compared to SA surfaces
- Initial cellular differentiation by 19 percent compared to SA surfaces (7 days)
- Initial stability increased by 34 percent compared to SA surfaces (RT at 4 weeks)
- Ossification rate Increased by 26 percent compared to SA surfaces (BIC at 4 weeks)

Premium high-crystalline HA-coated surface

- 30 to 60 μ m thick high-crystalline HA coating
- HA coated onto a RBM surface (Ra 3.0 to 3.5 μ m)
- High HA crystalline over 98 percent
- Solved the problem with low-crystalline HA resorption

In-vitro & In-vivo Bone Response

- Excellent biocompatibility in HA that is similar to bone
- Initial ossification by osteoblasts doubled compared to SA surfaces (5 days)
- 40% improvement in initial stability (RT, 4 weeks) in animal models compared to SA
- Suitable for poor bone quality, tooth extraction sites or immediate implant insertion



Premium low crystalline nano-HA coated SA surface

- SA surface (Ra 2.5 to 3.0 μm) coated with HA
- 10nm ultra-thin HA coating
- Dual function between titanium and HA
 - HA is naturally resorbed during ossification

In-vitro & In-vivo Bone Response

- Advantages of both SA and HA surfaces
 - SA's ability to maintain an optimal surface
 - HA's ability to form high quality initial bone, even in a poor bone quality
- 40% improvement in ossification (BIC) compared to SA
- It is applicable to all types of bone quality

Next-generation surface coated with special material (K material)

- Activation of blood clot formation
- Avoid carbon adsorption in air
- Coating of K material on SA surface (Ra 2,0~3,0 μm)
- Superior blood wettability with super hydrophilic surface.

In-vitro & In-vivo Bone Response

- Protein and cellular adhesion 130 times increase compared to SA surface
- Initial stability increased by 57 percent compared to SA surfaces (RT at 4 weeks)
- Surface with the shortest duration of surgery

TS SYSTEM

024
TSIII SA
Fixture



030
TSIII SOI
Fixture



034
TSIV SA
Fixture



040
Simple
Mount



040
Cover
Screw



041
Healing
Abutment



042
Custom
Healing
Abutment



045
Rigid
Abutment



048
Rigid
Protect
Cap



048
Rigid
Retraction
Cap



048
Rigid
Impression
Coping



049
Rigid
Burn-out
Cylinder



049
Rigid
Lab
Analog



050
Transfer
Abutment



058
Bite
Impression
Coping



058
Bite
Impression
Coping
Driver



059
Bite
Index



060
Fixture
Pick-up
Impression
Coping



061
Fixture
Transfer
Impression
Coping



062
Laboratory
Screw



062
Fixture
Lab
Analog



065
Angled
Abutment



067
FreeForm
ST
Abutment



071
GoldCast
Abutment



072
NP-Cast
Abutment



075
OneFit
Abutment



075
Scan
Body



077
Pre-Milled
Abutment



078
Link
Abutment
for Public



080
Link
Abutment
for Cerec



081
Scan
Post



081
Scan
Body



085
Quick
Temporary
Abutment



087
Temporary
Abutment



089
Multi
Abutment



090

Multi
Abutment
Outer
Driver



090

Multi
Abutment
Machine
Driver



090

Multi
Abutment
NP-Cast
Cylinder



091

Multi
Combination
Cylinder



092

Multi
Angled
Abutment



095

Convertible
Abutment



097

Convertible
Combination
Cylinder



097

Convertible
Angled
Cylinder



097

Convertible
GoldCast
Cylinder



098

Convertible
Temporary
Cylinder



098

Convertible
Plastic
Cylinder



099

Convertible
Pick-up
Impression
Coping



099

Convertible
Transfer
Impression
Coping



100

Convertible
Protect
Cap



100

Convertible
Lab
Analog



100

Convertible
Polishing
Protector



103

Stud
Abutment



104

O-ring
Retainer
Cap Set



104

O-ring
Retainer
Set



104

O-ring
Set



104

O-ring
Lab
Analog



105

Locator®
Abutment



106

Locator®
Male
Processing
Kit



106

Locator®
Replacement
Male



106

Locator®
Extended
Replacement
Male



107

Locator®
Black
Processing
Male



107

Locator®
Block Out
Spacers



107

Locator®
Impression
Coping



107

Locator®
Lab Analog



108

Locator®
Core Tool



108

Locator®
Torque
Driver



112

OneSeal



114

Scan
Healing
Abutment



115

Scan
Healing
Abutment
Carrier



OSSTEM[®]
IMPLANT



TS SYSTEM

FIXTURE

- 014** TSIII SA Fixture
- 016** TSIII SOI Fixture
- 018** TSIV SA Fixture
- 020** Mount & Screw
- 021** Healing Abutment
- 022** Custom Healing Abutment

COMPONENTS

- 024** PROSTHETIC FLOW DIAGRAM 1
- 025** Rigid Abutment
- 030** Transfer Abutment
- 040** PROSTHETIC FLOW DIAGRAM 2
- 041** Angled / FreeForm ST Abutment
- 045** GoldCast / NP-Cast Abutment
- 047** PROSTHETIC FLOW DIAGRAM 3
- 048** OneFit Abutment
- 049** Pre-Milled Abutment
- 050** Link Abutment (for Public / Cerec)
- 053** Temporary Abutment (Quick)
- 056** PROSTHETIC FLOW DIAGRAM 4
- 057** Multi (Angled) Abutment
- 061** PROSTHETIC FLOW DIAGRAM 5
- 062** Convertible Abutment
- 068** PROSTHETIC FLOW DIAGRAM 6
- 069** Stud / Locator[®] Abutment
- 075** OneSeal Abutment Selector
- 076** Scan Healing Abutment
- 078** Instructions for Use

TSIII SA Fixture

- A submerged type implant with internal hex and taper connection of 11°
- Optimal screw thread design for optimal SA surface implementation
- Taper body design with excellent initial fixation
- Highest initial stability in soft bone by using upper-part small thread
- Powerful self-threading effect with corkscrew thread
- Acquired initial fixation force for immediate loading in soft bone

Narrow

- Used in narrow ridge
- Compatible with mini abutment (except cover screw, mount, lab analog)

Ultra-wide

- Useful for posterior extraction and immediate implant placement case, and for replacement of failed implant case
- Optimized apex design ensures stable initial fixation force even at the extraction and bottom 3mm
- Recommended implant placement torque : below 40Ncm

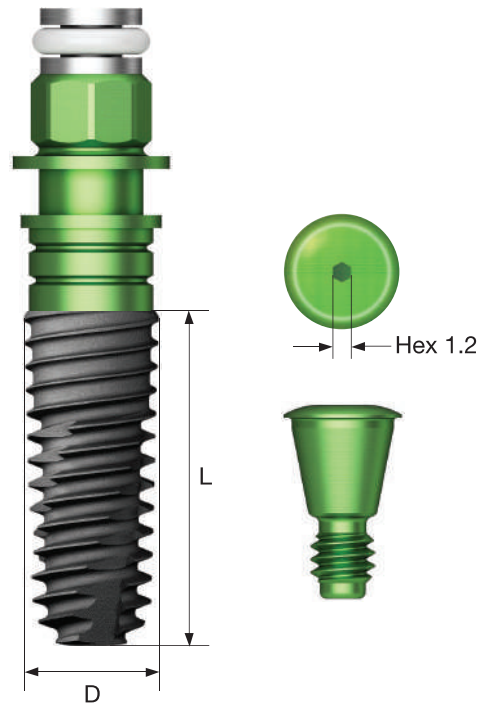
※ In posterior single case, recommended at least \varnothing 4.5mm fixture

NoMount fixture order code

: fixture product code (ex : TS3S4010S)

Pre-Mounted fixture (fixture + mount + cover screw) order code

: B + fixture product code (ex : BTS3S4010S)



D \varnothing 3.0
Hex 2.1
Narrow



L	8.5	10	11.5	13
TS3M3008S	TS3M3010S	TS3M3011S	TS3M3013S	

D \varnothing 3.5
Hex 2.1



L	8.5	10	11.5	13
TS3M3508S	TS3M3510S	TS3M3511S	TS3M3513S	

D \varnothing 4.0
Hex 2.5



L	7	7	8.5	10	11.5	13
TS3S4006S	TS3S4007S	TS3S4008S	TS3S4010S	TS3S4011S	TS3S4013S	

D Ø4.5
Hex 2.5



L	7	7	8.5	10	11.5	13
	Extra short					
	TS3S4506S	TS3S4507S	TS3S4508S	TS3S4510S	TS3S4511S	TS3S4513S

D Ø5.0
Hex 2.5



L	6	6	6	7	8.5	10	11.5	13
	Extra short	Extra short	Short					
	TS3S5004S	TS3S5005S	TS3S5006S	TS3S5007S	TS3S5008S	TS3S5010S	TS3S5011S	TS3S5013S

D Ø5.5
Hex 2.5



L	6	7	8.5	10	11.5	13
	Short					
	TS3S5506S	TS3S5507S	TS3S5508S	TS3S5510S	TS3S5511S	TS3S5513S

Ultra-Wide

D Ø6.0
Hex 2.5



L	6	7	8.5	10	11.5	13
	Short					
	TS3S6006S	TS3S6007S	TS3S6008S	TS3S6010S	TS3S6011S	TS3S6013S

D Ø7.0
Hex 2.5



L	6	7	8.5	10	11.5	13
	Short					
	TS3S7006S	TS3S7007S	TS3S7008S	TS3S7010S	TS3S7011S	TS3S7013S

Nominal and actual diameters may slightly differ

Caution For a short implant, a sufficient healing period is strongly recommended. A short implant should be splinted with another implant when considering prosthetic options.

TSIII SOI Fixture

- Submerged type implant with an internal hex and 11° tapered connection
- K-material coated, blood-friendly superhydrophilic SA surface
- Rapid blood clot formation by super hydrophilicity
- Tapered body design with high initial stability
- Excellent initial stability in soft bone due to the small thread on the upper part
- Excellent self-threading effect with corkscrew thread
- Excellent initial stability necessary for immediate loading, even in soft bone
- Recommended insertion torque : ≤40 Ncm

※ Fixtures with a diameter of 4.5mm or more are recommended for the posterior area

Narrow

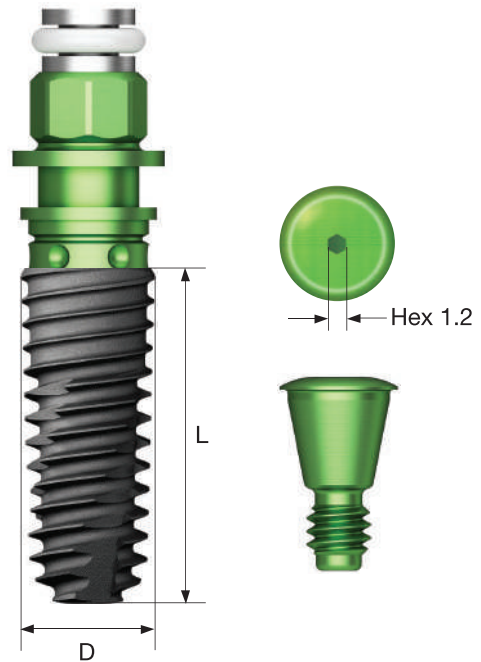
- Used in narrow widths
- Easy angle compensation
- Compatible with existing mini upper part (cover screw, mount, lab analog)

NoMount fixture order code

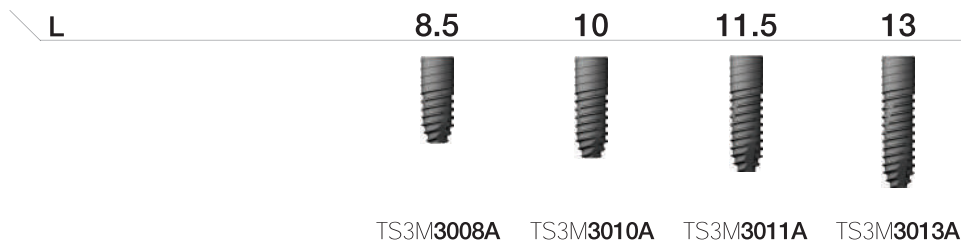
: fixture product code (ex : TS3S4010A)

Pre-Mounted fixture (fixture + mount + cover screw) order code

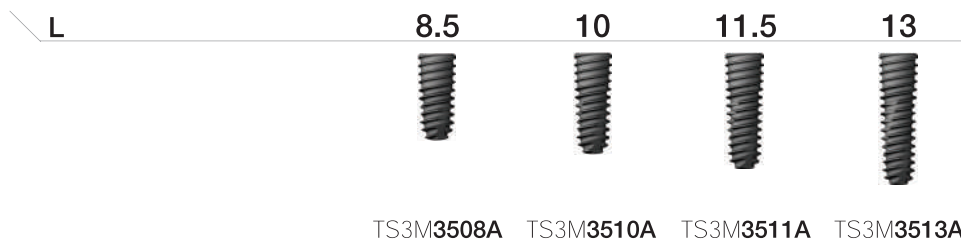
: **B** + fixture product code (ex : **B**TS3S4010A)



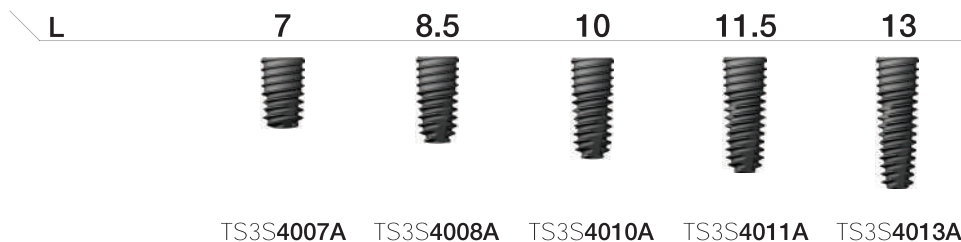
D Ø3.0
Hex 2.1
Narrow



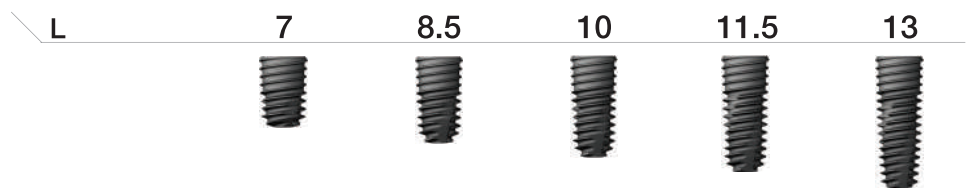
D Ø3.5
Hex 2.1



D Ø4.0
Hex 2.5

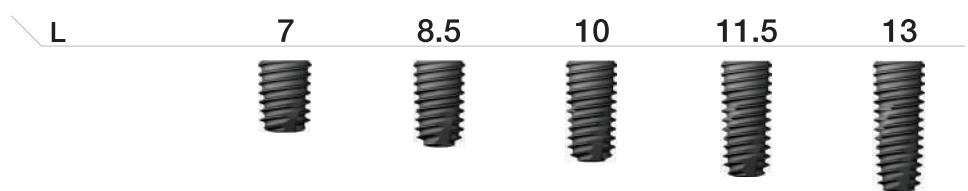


D Ø4.5
Hex 2.5



TS3S4507A TS3S4508A TS3S4510A TS3S4511A TS3S4513A

D Ø5.0
Hex 2.5



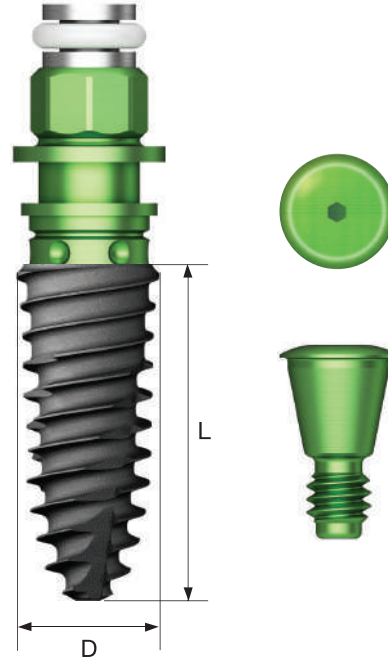
TS3S5007A TS3S5008A TS3S5010A TS3S5011A TS3S5013A

TSIV SA Fixture

- A submerged type implant with internal hex and taper connection of 11°
- Optimal screw thread design for optimal SA surface implementation
- Fixture for maxillary sinus and soft bone
- The effect of improving the initial fixation force in soft bone by applying the upper part small thread
- Powerful self-threading effect with corkscrew thread
- With a sharp apex design, it can be placed after D4 bone 2.0/3.0mm drilling

Ultra-wide

- Useful for posterior extraction and immediate implant placement case, and for replacement of failed Implant case
- Optimized apex design ensures stable initial fixation force even at the extraction and bottom 3mm
- Recommended implant placement torque : below 40Ncm
- ※ In posterior single case, fixture with diameter of 4.5mm or more is recommended
- ※ TSIV fixture is recommended to be lowered to 15rpm or less because the pitch of the thread is large and the implant placement speed is fast



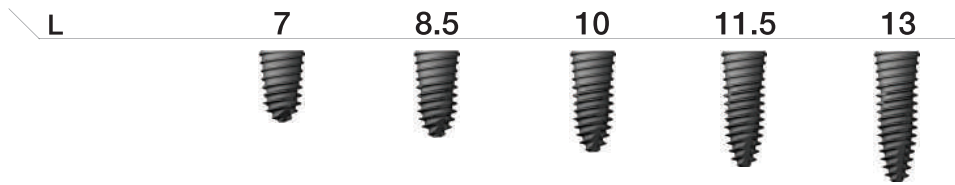
NoMount fixture order code

: fixture product code (ex : TS4S4010S)

Pre-Mounted fixture (fixture + mount + cover screw) order code

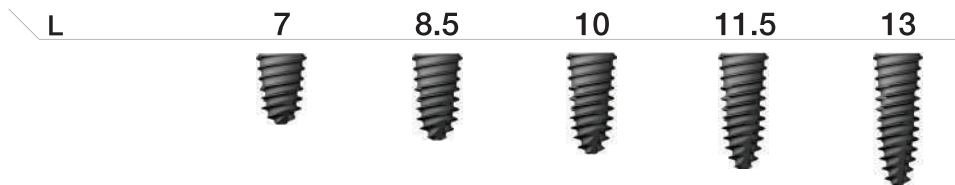
: B + fixture product code (ex : BTS4S4010S)

D Ø4.0 Pitch 0.8
Hex 2.5



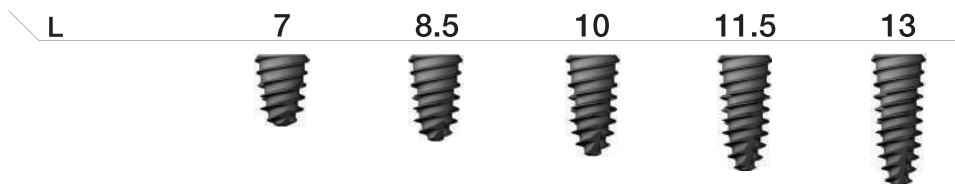
TS4S4007S TS4S4008S TS4S4010S TS4S4011S TS4S4013S

D Ø4.5 Pitch 1.0
Hex 2.5



TS4S4507S TS4S4508S TS4S4510S TS4S4511S TS4S4513S

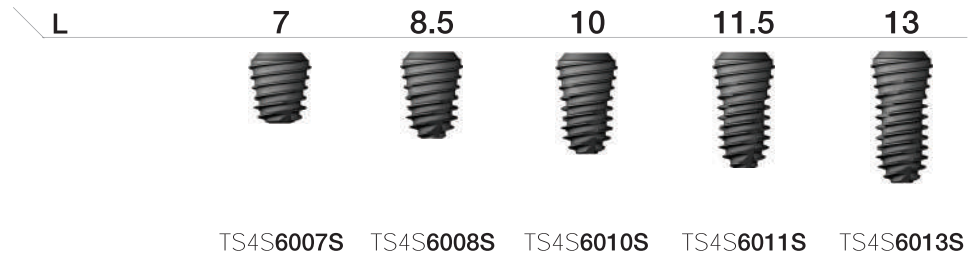
D Ø5.0 Pitch 1.2
Hex 2.5



TS4S5007S TS4S5008S TS4S5010S TS4S5011S TS4S5013S

Ultra-wide

D Ø6.0
Hex 2.5



D Ø7.0
Hex 2.5



Mount & Screw

Simple Mount

- Use a 1.2 hex driver
- Recommended tightening torque : 8~10Ncm
- Packing unit : mount + mount screw
- ※ Disposable; re-use is not allowed
- C = Connection

M Mini

R Regular

C For CA Fixture

M
For $\varnothing 3.0$



TSSM30



TSCM30

M



TSSAMM



TSCSAMM

R



TSSAMR



TSCSAMR

Cover Screw

- Depending on the depth of the fixture, height(H) is selected
- $\varnothing 3.0$ fixture uses exclusive cover screw
- By hand force with 1.2 hex driver
- P = Platform

M Mini

R Regular

P H 0.4 1.4 2.0

M
For $\varnothing 3.0$



M



R



Healing Abutment

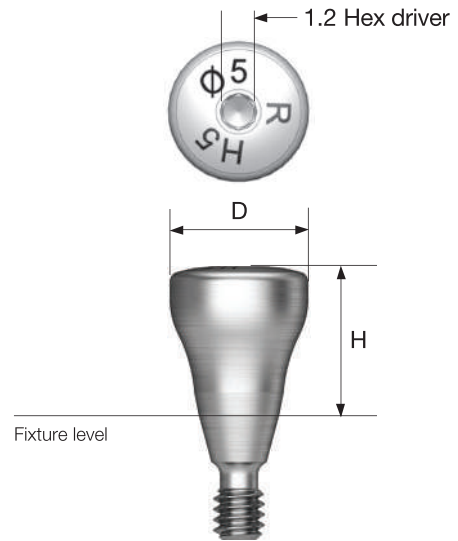
- Yellow(mini) color coded prosthetic parts are for \varnothing 3.5/3.0 fixtures
- Use a 1.2 hex driver (torque manually)

M Mini

R Regular

Matching table

Healing abutment	H	3.0	4.0	5.0	7.0
Abutment	G/H	1.0	2.0 or 3.0	3.0 or 4.0	5.0 and above
Impression coping	Type	Short	Short	Long	Long



D \ H	3.0	4.0	5.0	7.0	9.0
Ø4.0	TSHA403M	TSHA404M	TSHA405M	TSHA407M	TSHA409M
Ø4.5	TSHA453M	TSHA454M	TSHA455M	TSHA457M	TSHA459M

D \ H	3.0	4.0	5.0	7.0	9.0
Ø4.0	TSHA403R	TSHA404R	TSHA405R	TSHA407R	TSHA409R
Ø4.5	TSHA453R	TSHA454R	TSHA455R	TSHA457R	TSHA459R
Ø5.0	TSHA503R	TSHA504R	TSHA505R	TSHA507R	TSHA509R
Ø6.0	TSHA603R	TSHA604R	TSHA605R	TSHA607R	TSHA609R
Ø7.0	TSHA703R	TSHA704R	TSHA705R	TSHA707R	TSHA709R
Ø8.0	-	-	TSHA805R	-	-

Custom Healing Abutment

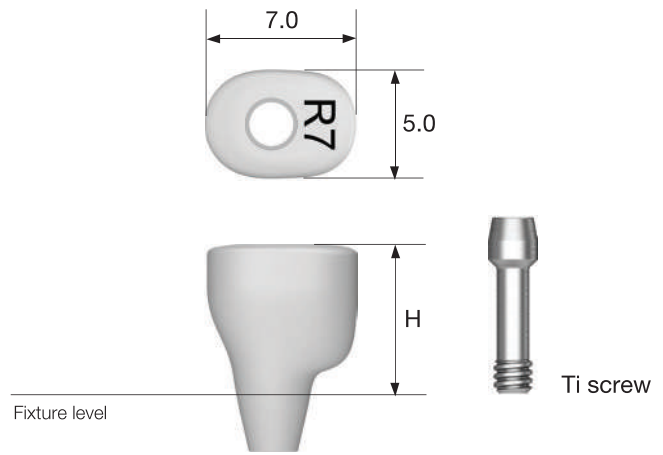
- Healing abutment shaped like a tooth
- Prep able and resin friendly
- Material : medical grade PEEK
- Titanium screw included
- Use a 1.2 hex driver (torque manually)
- Packing unit : abutment + Ti screw
- P = Platform

Abutment + Ti screw order code

: product code + **TH** (ex : TSCHAPR**7TH**)

M Mini

R Regular



P \ H	5.0	7.0	9.0
M Ti screw : GSCHABSMT	TSCHAP M5	TSCHAP M7	TSCHAP M9
R Ti screw : GSCHABSST	TSCHAP R5	TSCHAP R7	TSCHAP R9

OSSTEM[®]
IMPLANT

Rigid / Transfer

Abutment Level Impression



Single Bridge
Rigid Burn-out Cylinder

049p



Rigid Lab Analog

049p



Rigid Impression Coping

048p



Rigid Protect Cap

048p



Rigid Retraction Cap

048p



Rigid Abutment

045p



Hex Non-hex
Transfer Abutment

050p



Cover Screw

040p



Healing Abutment

041p



Finishing Reamer set

126p

KIT catalog



Rigid Outer Driver
1.2 Hex Torque Driver
: Mini, regular(φ 4.0) -
only outer driver

122 / 121p

KIT catalog



1.2 Hex Torque Driver

121p

KIT catalog



1.2 Hex Hand Driver

120p

KIT catalog



TSII SA/CA/BA

018 / 020 / 022p



TSIII SA/CA/BA/SOI/HA

024 / 026 / 028 / 030 / 032p



TSIV SA/CA/BA

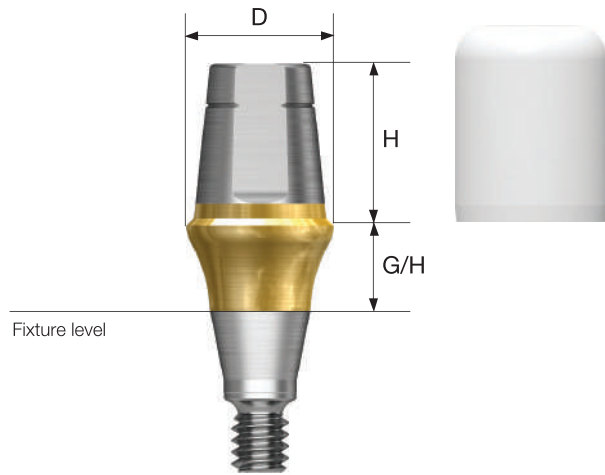
034 / 036 / 038p

Rigid Abutment



- Cement-retained prosthesis
- Abutment level impression
- \varnothing 4.0 : torque with the outer driver (code : ORDML/ORDMS)
- \varnothing 4.5/5.0/6.0 : torque with the outer driver or 1.2 hex driver
- \varnothing 7.0 : torque with a 1.2 hex driver
- Recommended tightening torque : 30Ncm
- Packing unit : abutment + protect cap

Abutment + protect cap order code
: product code + **P** (ex : GSRA5620**P**)



D \varnothing 4.0



H \ G/H	1.0	2.0	3.0	4.0	5.0
4.0	GSRA4410	GSRA4420	GSRA4430	GSRA4440	GSRA4450
5.5	GSRA4610	GSRA4620	GSRA4630	GSRA4640	GSRA4650
7.0	GSRA4710	GSRA4720	GSRA4730	GSRA4740	GSRA4750

D \varnothing 4.5



H \ G/H	1.0	2.0	3.0	4.0	5.0
4.0	GSRA4411	GSRA4421	GSRA4431	GSRA4441	GSRA4451
5.5	GSRA4611	GSRA4621	GSRA4631	GSRA4641	GSRA4651
7.0	GSRA4711	GSRA4721	GSRA4731	GSRA4741	GSRA4751

Rigid Abutment

D Ø4.0

R

H \ G/H	1.0	2.0	3.0	4.0	5.0
					
4.0	GSRAS4410	GSRAS4420	GSRAS4430	GSRAS4440	GSRAS4450
5.5	GSRAS4610	GSRAS4620	GSRAS4630	GSRAS4640	GSRAS4650
7.0	GSRAS4710	GSRAS4720	GSRAS4730	GSRAS4740	GSRAS4750

D Ø4.5

R

H \ G/H	1.0	2.0	3.0	4.0	5.0
					
4.0	GSRAS4411	GSRAS4421	GSRAS4431	GSRAS4441	GSRAS4451
5.5	GSRAS4611	GSRAS4621	GSRAS4631	GSRAS4641	GSRAS4651
7.0	GSRAS4711	GSRAS4721	GSRAS4731	GSRAS4741	GSRAS4751

D Ø5.0

R

H \ G/H	1.0	2.0	3.0	4.0	5.0
					
4.0	GSRA5410	GSRA5420	GSRA5430	GSRA5440	GSRA5450
5.5	GSRA5610	GSRA5620	GSRA5630	GSRA5640	GSRA5650
7.0	GSRA5710	GSRA5720	GSRA5730	GSRA5740	GSRA5750

D Ø6.0

R

H \ G/H	1.0	2.0	3.0	4.0	5.0
					
4.0	GSRA6410	GSRA6420	GSRA6430	GSRA6440	GSRA6450
5.5	GSRA6610	GSRA6620	GSRA6630	GSRA6640	GSRA6650
7.0	GSRA6710	GSRA6720	GSRA6730	GSRA6740	GSRA6750

D Ø7.0

R

H \ G/H	1.0	2.0	3.0	4.0	5.0
5.5	 GSRA7610	 GSRA7620	 GSRA7630	 GSRA7640	 GSRA7650

Rigid Abutment Components

Rigid Protect Cap

- Protects the rigid abutment and minimizes patient irritation
- Can be used as the base for a provisional crown
- Available for transfer abutment (except for the \varnothing 4.0)

M Mini
R Regular

D \ H	4.0	5.5	7.0
\varnothing 4.0 / \varnothing 4.0	GSRPC440	GSRPC460	GSRPC470
\varnothing 4.5 / \varnothing 4.5	GSRPC441	GSRPC461	GSRPC471
\varnothing 5.0	GSRPC540	GSRPC560	GSRPC570
\varnothing 6.0	GSRPC640	GSRPC660	GSRPC670
\varnothing 7.0	-	GSRPC760	-

Rigid Retraction Cap

- Used for accurate margin reproduction when taking a direct impression
- Can be used as the base for a provisional crown
- Available for transfer abutment (except for the \varnothing 4.0)

M Mini
R Regular

D \ H	4.0	5.5	7.0
\varnothing 4.0 / \varnothing 4.0	GSRRC440	GSRRC460	GSRRC470
\varnothing 4.5 / \varnothing 4.5	GSRRC441	GSRRC461	GSRRC471
\varnothing 5.0	GSRRC540	GSRRC560	GSRRC570
\varnothing 6.0	GSRRC640	GSRRC660	GSRRC670
\varnothing 7.0	-	GSRRC760	-

Rigid Impression Coping

- Impression components for rigid abutment
- Color coded by abutment height
- Available for transfer abutment (except for the \varnothing 4.0)

M Mini
R Regular

D \ H	4.0	5.5	7.0
\varnothing 4.0 / \varnothing 4.0	GSRIC440S	GSRIC460S	GSRIC470S
\varnothing 4.5 / \varnothing 4.5	GSRIC441S	GSRIC461S	GSRIC471S
\varnothing 5.0	GSRIC540S	GSRIC560S	GSRIC570S
\varnothing 6.0	GSRIC640S	GSRIC660S	GSRIC670S
\varnothing 7.0	-	GSRIC760S	-

Rigid Burn-out Cylinder

- Replacement of resin cap before wax up using rigid abutment
- Used after casting, clean the margin for proper fitting




M Mini
R Regular

D \ Type	Single	Bridge
		
Ø 4.0/Ø 4.0	GSRP400S	GSRP400B
Ø 4.5/Ø 4.5	GSRP450S	GSRP450B
Ø 5.0	GSRP500S	GSRP500B
Ø 6.0	GSRP600S	GSRP600B
Ø 7.0	GSRP700S	GSRP700B

Rigid Lab Analog

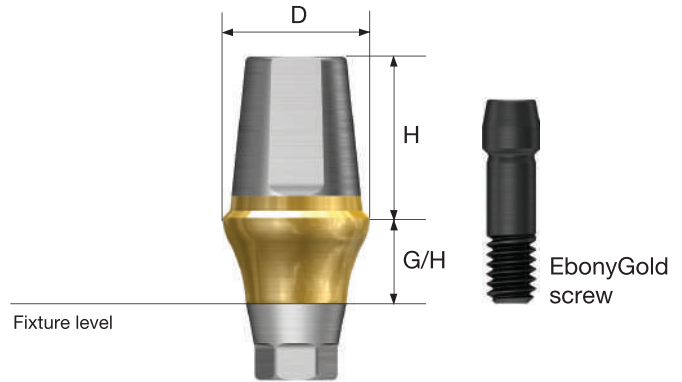
- Rigid abutment reproduction on model after impression
- Connect to the appropriate color coded rigid impression coping

M Mini
R Regular

D \ H	4.0	5.5	7.0
			
Ø 4.0/Ø 4.0	GSRLA440	GSRLA460	GSRLA470
Ø 4.5/Ø 4.5	GSRLA441	GSRLA461	GSRLA471
Ø 5.0	GSRLA540	GSRLA560	GSRLA570
Ø 6.0	GSRLA640	GSRLA660	GSRLA670
Ø 7.0	-	GSRLA760	-

Transfer Abutment

- Cement/combination-retained prosthesis
- Fixture level impression
- Abutment level impression is available using the rigid impression coping (except the $\varnothing 4.0$)
- Use a 1.2 hex driver
- Recommended tightening torque : 20Ncm(mini), 30Ncm(regular)
- Packing unit : abutment + EbonyGold screw



Abutment + EbonyGold screw order code

: product code + **WH** (ex : GSTA4621**WH**)

TS SYSTEM

030

D $\varnothing 4.0$



EbonyGold screw
: GSABSM

Abutment level impression not possible

		H \ G/H	1.0	2.0	3.0	4.0
Hex	5.5					
	7.0		GSTA4612 GSTA4712	GSTA4622 GSTA4722	GSTA4632 GSTA4732	GSTA4642 GSTA4742
Non-Hex	5.5					
	7.0		GSTA4612N GSTA4712N	GSTA4622N GSTA4722N	GSTA4632N GSTA4732N	GSTA4642N GSTA4742N

		H \ G/H	5.0	6.0	7.0
Hex	5.5				
	7.0		GSTA4652 GSTA4752	GSTA4662 GSTA4762	GSTA4672 GSTA4772
Non-Hex	5.5				
	7.0		GSTA4652N GSTA4752N	GSTA4662N GSTA4762N	GSTA4672N GSTA4772N

D Ø4.5



EbonyGold screw
: GSABSM

		H \ G/H	1.0	2.0	3.0	4.0
Hex	5.5					
	7.0					
Non-Hex	5.5					
	7.0					

		H \ G/H	5.0	6.0	7.0
Hex	5.5				
	7.0				
Non-Hex	5.5				
	7.0				

D Ø4.5



EbonyGold screw
: GSABSS

		H \ G/H	1.0	2.0	3.0	4.0
Hex	5.5					
	7.0					
Non-Hex	5.5					
	7.0					





		H \ G/H	5.0	6.0	7.0
Hex	5.5				
	7.0				
Non-Hex	5.5				
	7.0				




Transfer Abutment

D Ø5.0



EbonyGold screw
: GSABSS





		H \ G/H	1.0	2.0	3.0	4.0
						
Hex	4.0		GSTA5410	GSTA5420	GSTA5430	GSTA5440
	5.5		GSTA5610	GSTA5620	GSTA5630	GSTA5640
	7.0		GSTA5710	GSTA5720	GSTA5730	GSTA5740
Non-Hex	4.0		GSTA5410N	GSTA5420N	GSTA5430N	GSTA5440N
	5.5		GSTA5610N	GSTA5620N	GSTA5630N	GSTA5640N
	7.0		GSTA5710N	GSTA5720N	GSTA5730N	GSTA5740N

		H \ G/H	5.0	6.0	7.0
					
Hex	4.0		GSTA5450	GSTA5460	GSTA5470
	5.5		GSTA5650	GSTA5660	GSTA5670
	7.0		GSTA5750	GSTA5760	GSTA5770
Non-Hex	4.0		GSTA5450N	GSTA5460N	GSTA5470N
	5.5		GSTA5650N	GSTA5660N	GSTA5670N
	7.0		GSTA5750N	GSTA5760N	GSTA5770N

D Ø6.0



EbonyGold screw
: GSABSS

		H \ G/H	1.0	2.0	3.0	4.0
						
Hex	4.0		GSTA6410	GSTA6420	GSTA6430	GSTA6440
	5.5		GSTA6610	GSTA6620	GSTA6630	GSTA6640
	7.0		GSTA6710	GSTA6720	GSTA6730	GSTA6740
Non-Hex	4.0		GSTA6410N	GSTA6420N	GSTA6430N	GSTA6440N
	5.5		GSTA6610N	GSTA6620N	GSTA6630N	GSTA6640N
	7.0		GSTA6710N	GSTA6720N	GSTA6730N	GSTA6740N

D Ø6.0



EbonyGold screw
: GSABSS

		H \ G/H	5.0	6.0	7.0
Hex	4.0		GSTA6450	GSTA6460	GSTA6470
	5.5		GSTA6650	GSTA6660	GSTA6670
	7.0		GSTA6750	GSTA6760	GSTA6770
Non-Hex	4.0		GSTA6450N	GSTA6460N	GSTA6470N
	5.5		GSTA6650N	GSTA6660N	GSTA6670N
	7.0		GSTA6750N	GSTA6760N	GSTA6770N

D Ø7.0



EbonyGold screw
: GSABSS

		H \ G/H	1.0	2.0	3.0	4.0
Hex	4.0		GSTA7410	GSTA7420	GSTA7430	GSTA7440
	5.5		GSTA7610	GSTA7620	GSTA7630	GSTA7640
Non-Hex	4.0		GSTA7410N	GSTA7420N	GSTA7430N	GSTA7440N
	5.5		GSTA7610N	GSTA7620N	GSTA7630N	GSTA7640N

		H \ G/H	5.0	6.0	7.0
Hex	4.0		GSTA7450	GSTA7460	GSTA7470
	5.5		GSTA7650	GSTA7660	GSTA7670
Non-Hex	4.0		GSTA7450N	GSTA7460N	GSTA7470N
	5.5		GSTA7650N	GSTA7660N	GSTA7670N

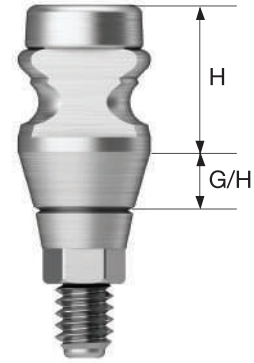
Transfer Abutment Components

Bite Impression Coping

- Fixture level components for impression
- Impression and bite can be made at the same time
- The basic usage is the same as transfer impression coping
- Bite impression coping driver fastened with hand force

M Mini (Yellow)

R Regular (Green)



D \ H	H	G/H	2.0	3.0	4.0	5.0
Ø 4.0	5.0					
	7.0					
Ø 4.5	5.0					
	7.0					
Ø 4.0	5.0					
	7.0					
Ø 5.0	5.0					
	7.0					

Bite Impression Coping Driver

- Used for fastening and separating bite impression coping

M Mini (Yellow)

R Regular (Green)






Type	Mini	Regular
	OICDM	OICDR

Bite Index

- Used for 'check bite impression' with fixture
- Use a 1.2 hex driver (torque manually)
- Packing unit : 2ea

M Mini

R Regular

D \ L	4.0	6.0	8.0	10.0	12.0
					
Ø 4.5	GSBIM4504S	GSBIM4506S	GSBIM4508S	GSBIM4510S	GSBIM4512S
Ø 5.5	GSBIS5504S	GSBIS5506S	GSBIS5508S	GSBIS5510S	GSBIS5512S

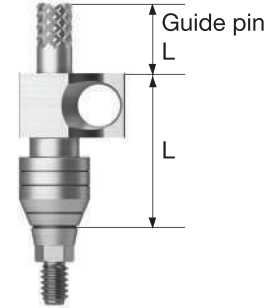
Transfer Abutment Components

Fixture Pick-up Impression Coping

- Fixture level components for impression
- For open tray impressions
- Unique design that is fixed position in the impression material
- Use a 1.2 hex driver (torque manually)
- Packing unit : impression coping body + guide pin(*)

M Mini (Yellow)

R Regular (Green)



D \ L	11		
	Type	Hex	Non-Hex
Ø 4.0	GSPIM4011	GSPIM4011N	}
Ø 4.5	GSPIM4511	GSPIM4511N	
Ø 4.0	GSPIS4011	GSPIS4011N	}
Ø 4.5	GSPIS4511	GSPIS4511N	
Ø 5.0	GSPIS5011	GSPIS5011N	}
Ø 6.0	GSPIS6011	GSPIS6011N	
Ø 7.0	GSPIS7011	GSPIS7011N	

Guide Pin		
0	5.0	9.0
GSPGPM100	GSPGPM150*	GSPGPM150L
GSPGPR100	GSPGPR150*	GSPGPR150L

D \ L	15		
	Type	Hex	Non-Hex
Ø 4.0	GSPIM4015	GSPIM4015N	}
Ø 4.5	GSPIM4515	GSPIM4515N	
Ø 4.0	GSPIS4015	GSPIS4015N	}
Ø 4.5	GSPIS4515	GSPIS4515N	
Ø 5.0	GSPIS5015	GSPIS5015N	}
Ø 6.0	GSPIS6015	GSPIS6015N	
Ø 7.0	GSPIS7015	GSPIS7015N	

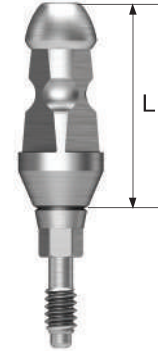
Guide Pin		
0	5.0	9.0
GSPGPM100L	GSPGPM150L*	GSPGPM200L
GSPGPR100L	GSPGPR150L*	GSPGPR200L

Fixture Transfer Impression Coping

- Fixture level components for impression
- For closed tray impressions
- Triangular arc ensures accurate placement
- Use a 1.2 hex driver (torque manually)
- Packing unit
 - Hex : impression coping body + guide pin
 - Non-hex : impression coping

M Mini (Yellow)

R Regular (Green)



D	L	11		14	
		Hex	Non-Hex	Hex	Non-Hex
	Type				
Ø 4.0		GSTIM4011	GSTIM4011N	GSTIM4014	GSTIM4014N
Ø 4.5		GSTIM4511	GSTIM4511N	GSTIM4514	GSTIM4514N
Ø 4.0		GSTIS4011	GSTIS4011N	GSTIS4014	GSTIS4014N
Ø 4.5		GSTIS4511	GSTIS4511N	GSTIS4514	GSTIS4514N
Ø 5.0		GSTIS5011	GSTIS5011N	GSTIS5014	GSTIS5014N
Ø 6.0		GSTIS6011	GSTIS6011N	GSTIS6014	GSTIS6014N
Ø 7.0		GSTIS7011	GSTIS7011N	GSTIS7014	GSTIS7014N

Transfer Abutment Components

Laboratory Screw

- Lab screw : abutment screw for lab work
- Waxing screw : longer screw for making screw-type prostheses and transfer jigs
- Packing unit : lab screw, waxing screw

M Mini

R Regular

Lab Screw

Waxing Screw

M



GSABSMML



GSABSMW

R



GSABSSL



GSABSSW

Fixture Lab Analog

- Lab analog for fixture level impressions
- Select appropriate size according to the diameter of a fixture;
 $\varnothing 3.0 / \varnothing 3.5 / \geq \varnothing 4.0$

M Mini

R Regular

M

For $\varnothing 3.0$



GSTLA300

M



GSTLA350

R



GSTLA400

OSSTEM[®]
IMPLANT

PROSTHETIC FLOW DIAGRAM 2

Transfer / Angled / FreeForm ST / GoldCast / NP-Cast

Fixture Level Impression



EbonyGold Screw

050p



Hex Non-hex

Transfer Abutment

050p



A Type B Type Non-hex

Angled Abutment

065p



Hex Non-hex

FreeForm ST Abutment

067p



Hex Non-hex

GoldCast Abutment

071p



Hex Non-hex

NP-Cast Abutment

072p



Fixture Lab Analog

062p



Bite Impression Coping

058p



Bite Index

059p



Hex Non-hex

Fixture Pick-up Impression Coping

060p



Hex Non-hex

Fixture Transfer Impression Coping

061p



Cover Screw

040p



Healing Abutment

041p



1.2 Hex Hand Driver

120p



TSII SA/CA/BA

018 / 020 / 022p



TSIII SA/CA/BA/SOI/HA

024 / 026 / 028 / 030 / 032p



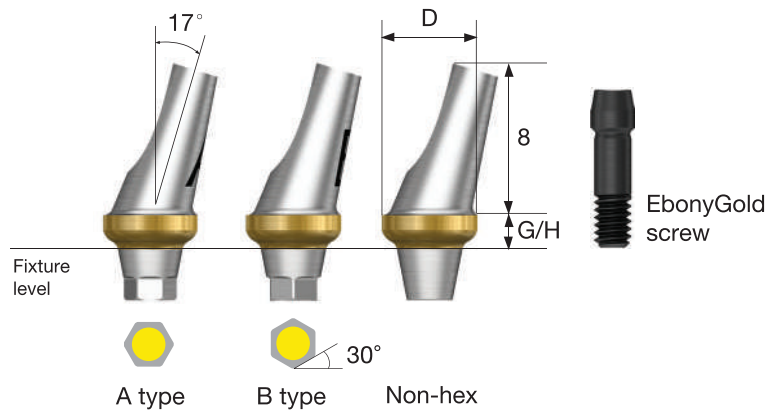
TSIV SA/CA/BA

034 / 036 / 038p

Angled Abutment



- Cement/combination-retained prosthesis
- Angle compensation up to 23° without the need for trimming
- Fixture level impression
- Use a 1.2 hex driver
- Recommended tightening torque : 20Ncm(mini), 30Ncm(regular)
- Packing unit : abutment + EbonyGold screw



Abutment + EbonyGold screw order Code
: product code + **WH** (ex : GSAA5020A**WH**)

D Ø4.0



EbonyGold screw
: GSABSM

G/H Type	2.0			4.0		
	Hex A	Hex B	Non-Hex	Hex A	Hex B	Non-Hex
	GSAA4020MA	GSAA4020MB	GSAA4020MN	GSAA4040MA	GSAA4040MB	GSAA4040MN

D Ø4.5



EbonyGold screw
: GSABSM

G/H Type	2.0			4.0		
	Hex A	Hex B	Non-Hex	Hex A	Hex B	Non-Hex
	GSAA4520MA	GSAA4520MB	GSAA4520MN	GSAA4540MA	GSAA4540MB	GSAA4540MN

Angled Abutment

D Ø4.5




EbonyGold screw
: GSABSS

G/H Type	2.0			4.0		
	Hex A	Hex B	Non-Hex	Hex A	Hex B	Non-Hex
						
	GSAA4520A	GSAA4520B	GSAA4520N	GSAA4540A	GSAA4540B	GSAA4540N

D Ø5.0



EbonyGold screw
: GSABSS

G/H Type	2.0			4.0		
	Hex A	Hex B	Non-Hex	Hex A	Hex B	Non-Hex
						
	GSAA5020A	GSAA5020B	GSAA5020N	GSAA5040A	GSAA5040B	GSAA5040N

D Ø6.0



EbonyGold screw
: GSABSS

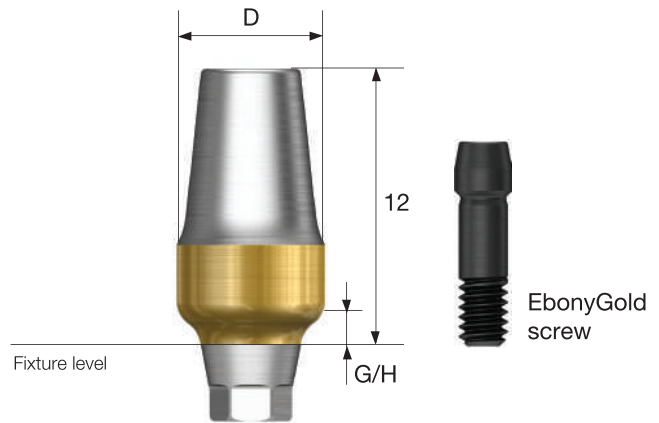
G/H Type	2.0			4.0		
	Hex A	Hex B	Non-Hex	Hex A	Hex B	Non-Hex
						
	GSAA6020A	GSAA6020B	GSAA6020N	GSAA6040A	GSAA6040B	GSAA6040N

FreeForm ST Abutment



- Cement/combination-retained prosthesis
- Prep-able margins can be contoured as needed
- Fixture level impression
- Use a 1.2 hex driver
- Recommended tightening torque : 20Ncm(mini), 30Ncm(regular)
- Packing unit : abutment + EbonyGold screw

Abutment + EbonyGold screw order code
: pcode + **WH** (ex : GSFA5015**WH**)



D Ø4.0



EbonyGold screw
: GSABSM

G/H Type	1.5		3.0	
	Hex	Non-Hex	Hex	Non-Hex
	GSFAM4015	GSFAM4015N	GSFAM4030	GSFAM4030N

D Ø4.0



EbonyGold screw
: GSABSS

G/H Type	1.5		3.0	
	Hex	Non-Hex	Hex	Non-Hex
	GSFA4015	GSFA4015N	GSFA4030	GSFA4030N

FreeForm ST Abutment

D Ø5.0



EbonyGold screw
: GSABSS

G/H Type	1.5		3.0	
	Hex	Non-Hex	Hex	Non-Hex
	GSFAS5015	GSFAS5015N	GSFAS5030	GSFAS5030N

D Ø5.0



EbonyGold screw
: GSABSS

G/H Type	1.5		3.0	
	Hex	Non-Hex	Hex	Non-Hex
	GSFA5015	GSFA5015N	GSFA5030	GSFA5030N

D Ø6.0



EbonyGold screw
: GSABSS

G/H Type	1.5		3.0	
	Hex	Non-Hex	Hex	Non-Hex
	GSFA6015	GSFA6015N	GSFA6030	GSFA6030N

D Ø7.0



EbonyGold screw
: GSABSS

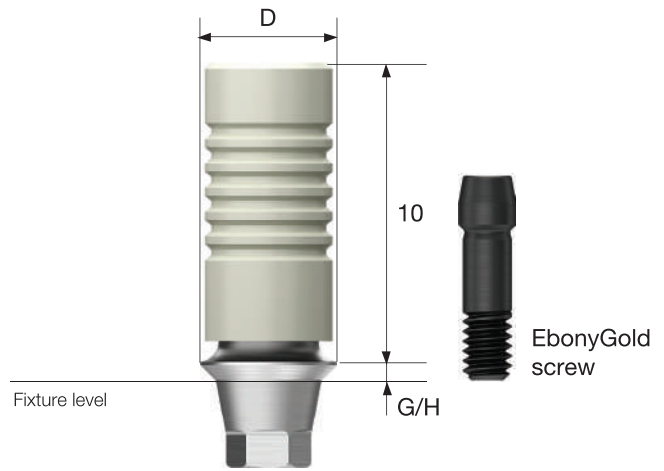
G/H Type	1.5		3.0	
	Hex	Non-Hex	Hex	Non-Hex
	GSFA7015	GSFA7015N	GSFA7030	GSFA7030N

GoldCast Abutment



- Cement/combination/screw-retained prosthesis
- Customized prosthesis cast with gold alloy
- Abutment melting point : 1400~1450 °C
- Fixture level impression
- Use a 1.2 hex driver
- Recommended tightening torque : 20Ncm(mini), 30Ncm(regular)
- Packing unit : abutment + EbonyGold screw

Abutment + EbonyGold screw order code
: product code + **WH** (ex : GSGA4510**WH**)



D Ø4.0



EbonyGold screw
: GSABSM

G/H Type	1.0		3.0	
	Hex	Non-Hex	Hex	Non-Hex
	GSGA4010S	GSGA4010B	GSGA4030S	GSGA4030B

D Ø4.5



EbonyGold screw
: GSABSS

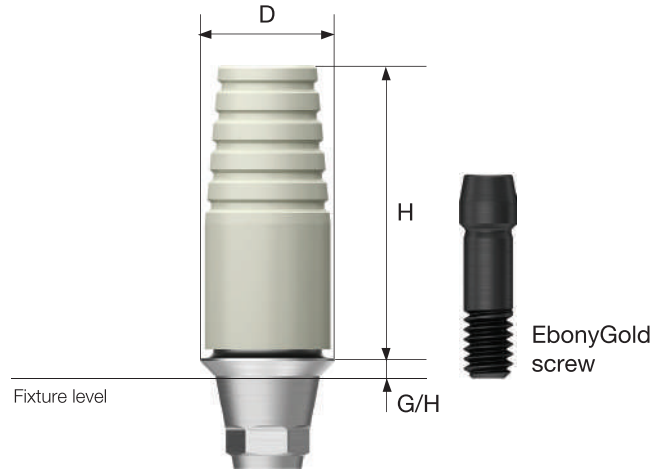
G/H Type	1.0		3.0	
	Hex	Non-Hex	Hex	Non-Hex
	GSGA4510S	GSGA4510B	GSGA4530S	GSGA4530B

NP-Cast Abutment



- Cement/combination/screw-retained prosthesis
- Customized prosthesis cast with non-precious alloys
- Abutment melting point : 1400~1550°C
- Fixture level impression
- Use a 1.2 hex driver
- Recommended tightening torque : 20Ncm(mini), 30Ncm(regular)
- Packing unit : abutment + EbonyGold screw

Abutment + EbonyGold screw order code
: product code + **WH** (ex : GSNA4510**SWH**)



TS SYSTEM

046

D Ø4.0



EbonyGold screw
: GSABSM

G/H Type	1.0		3.0	
	Hex	Non-Hex	Hex	Non-Hex
	GSNA4010S	GSNA4010B	GSNA4030S	GSNA4030B

D Ø4.5



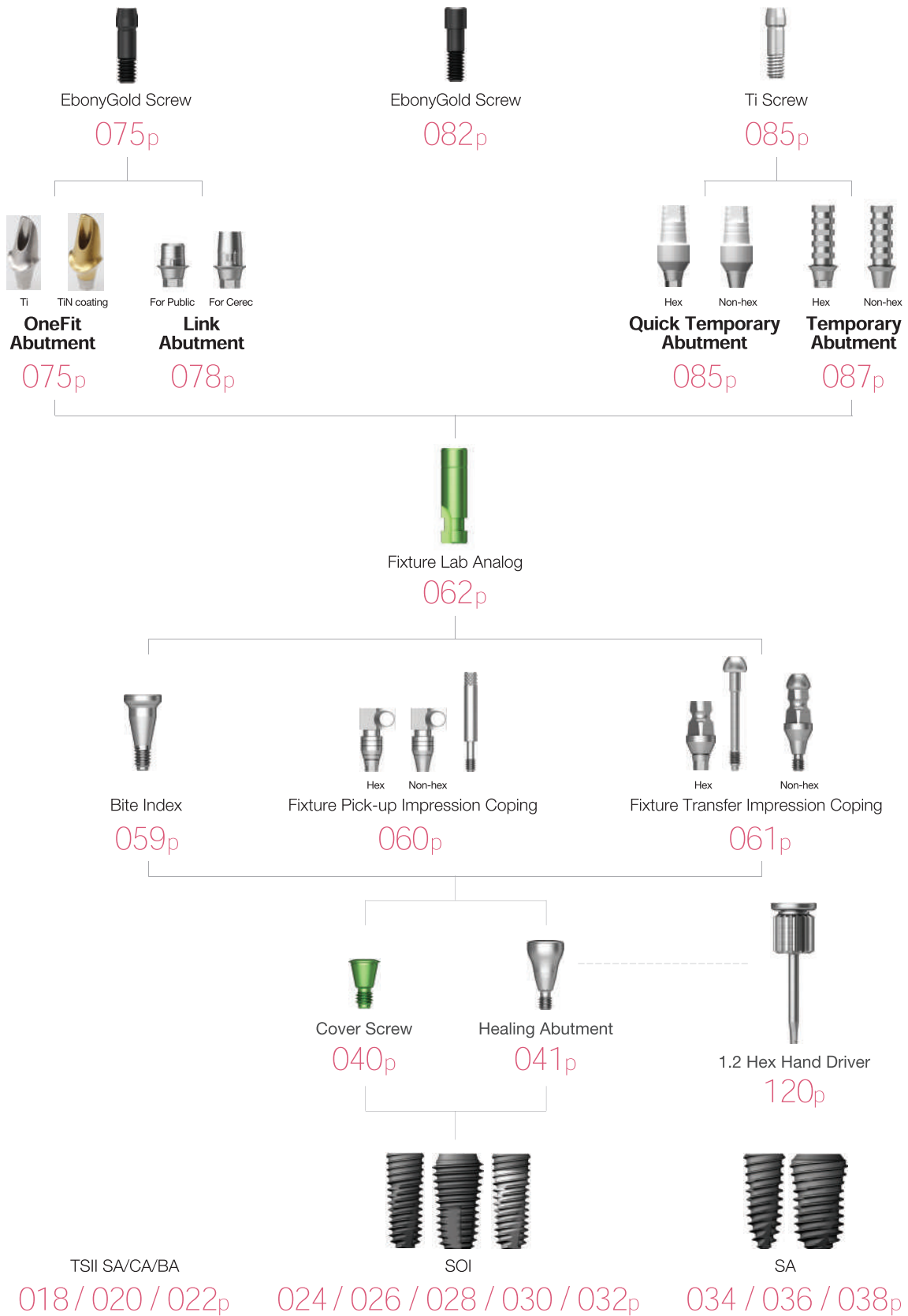
EbonyGold screw
: GSABSS

G/H Type	1.0		3.0	
	Hex	Non-Hex	Hex	Non-Hex
	GSNA4510S	GSNA4510B	GSNA4530S	GSNA4530B

PROSTHETIC FLOW DIAGRAM 3

OneFit / Link / ZioCera / ZioCera Angled Temporary / Quick Temporary

Fixture Level Impression



OneFit Abutment



- Cement/combination-retained prosthesis
- CAD/CAM designed and milled customized abutments
- Fixture level impression
- Abutment level impression is possible when using scan healing abutment
- Lead time (in working days)
 - Titanium : 5 days
 - Titanium + gold color : 7 days
- Use a 1.2 hex driver
- Recommended tightening torque : 20Ncm(mini), 30Ncm(regular)
- Packing unit : abutment + EbonyGold screw



Scan Body

- Scan body for titanium custom abutment production
- For model scan : long (15mm)
- For intra oral scan : short (10mm)
- Use a 1.2 hex driver (torque manually)
- Packing unit : scan body + Ti screw

Scan body + screw order code
: product code + **TH** (ex : TSSBM**TH**)



Yellow color screw
: TSSBSM



Green color screw
: TSSBS

L 10mm 15mm



Scan body for other company's implant,
OneFit abutment production

D Type	DESBSTH	Purple anodizing screw
Di Type		
Dt Type	CUSBSTH	
M Type		

Pre-Milled Abutment

- Making custom abutment with dental milling equipment
- Easy identification of non-genuine product with osstem activation mark
- Superior tightening accuracy compared to non-genuine
- Lineup for various milling equipment
(milling manufacturers : Doowon, Vatech, Neo, Manix, Zirkozahn, and Yenadent)
- Packing unit: abutment + Ti screw

Scan body + screw order code

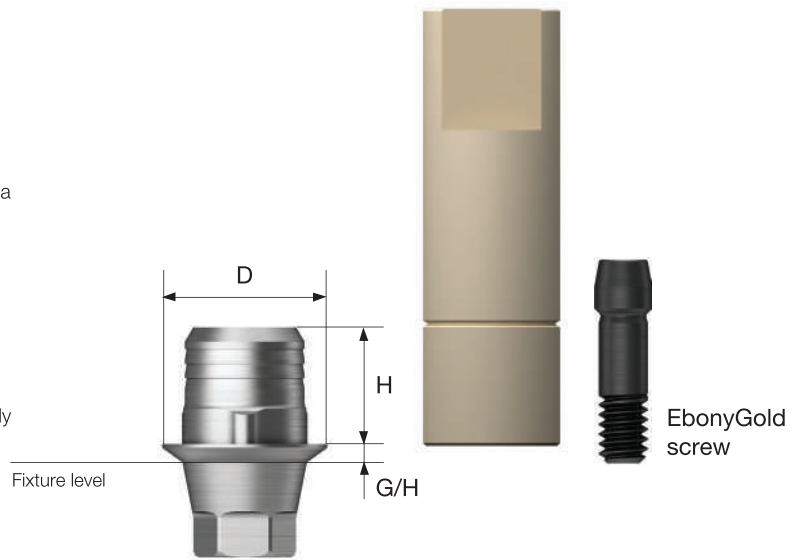
: product code + **WH** or **TH** (ex : TSPM10ARM**WH**)



Equipment	Implant	D	Specifications		Code		
Doowon ARUM Vatech imes-icore	Osstem TS	Ø10	Mini	Hex	TSPM10ARMWH		
			Mini	Non-hex	TSPM10ARMNWH		
			Regular	Hex	TSPM10ARRWH		
			Regular	Non-hex	TSPM10ARRNWH		
	D type	Ø10	Regular	Hex	DEPM10ARRTH		
			Regular	Non-hex	DEPM10ARRNTH		
			N type	Ø10	Regular	Hex	NEPM10ARRTH
					Regular	Non-hex	NEPM10ARRNTH
Neo Cameleon	Osstem TS	Ø10	Mini	Hex	TSPM10CAMWH		
			Mini	Non-hex	TSPM10CAMNWH		
			Regular	Hex	TSPM10CARWH		
			Regular	Non-hex	TSPM10CARNWH		
	D type	Ø10	Regular	Hex	DEPM10CARTH		
			Regular	Non-hex	DEPM10CARNTH		
			N type	Ø10	Regular	Hex	NEPM10CARTH
					Regular	Non-hex	NEPM10CARNTH
Zirkozhan	Osstem TS	Ø10	Mini	Hex	TSPM10ZKMWH		
			Mini	Non-hex	TSPM10ZKMNWH		
			Regular	Hex	TSPM10ZKRWH		
			Regular	Non-hex	TSPM10ZKRNWH		
Manix	Osstem TS	Ø10	Mini	Hex	TSPM10MXMWH		
			Mini	Non-hex	TSPM10MXMNWH		
			Regular	Hex	TSPM10MXRWH		
			Regular	Non-hex	TSPM10MXRNWH		

Link Abutment for Public

- Cement/combination/screw-retained prosthesis
- Titanium base for CAD/CAM designed and milled zirconia custom abutment
- Use osstem's official implant library
- Fixture level impression
- Use a 1.2 hex driver
- Recommended tightening torque : 20Ncm(mini), 30Ncm(regular)
- Packing unit : abutment + EbonyGold screw + scan body





Abutment + EbonyGold screw + scan body order code

: product code + **WH** (ex : TSPTB431R**WH**)

D Ø4.0





EbonyGold screw
 : GSABSM

		G/H Type	1.0	2.0
Hex	3.0			
	5.0		TSPTB451M	TSPTB452M
Non-Hex	3.0		TSPTB431MN	TSPTB432MN
	5.0		TSPTB451MN	TSPTB452MN

D Ø4.5



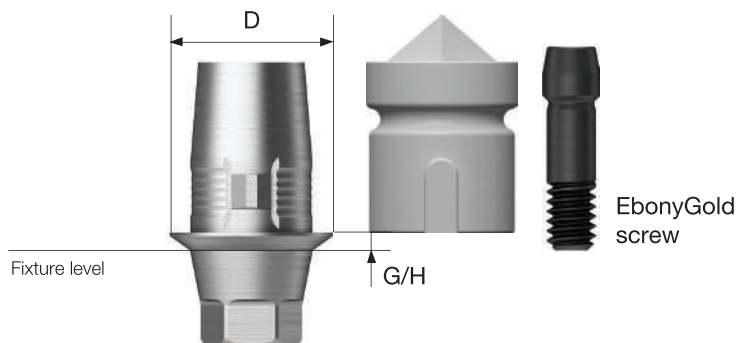
EbonyGold screw
 : GSABSS

		G/H Type	1.0	2.0
Hex	3.0			
	5.0		TSPTB451R	TSPTB452R
Non-Hex	3.0		TSPTB431RN	TSPTB432RN
	5.0		TSPTB451RN	TSPTB452RN

Link Abutment for Cerec

- Cement/combination/screw-retained prosthesis
- Titanium base for CEREC™ CAD/CAM designed and milled zirconia custom abutment
- Use a 1.2 hex driver
- Recommended tightening torque : 20Ncm(mini), 30Ncm(regular)

Abutment + EbonyGold screw + scan body
order code
 : product code + **WH** (ex : TSCTBR**WH**)



EbonyGold screw
 : GSABSM

Type Hex Non-Hex



TSCT**BM**



TSCT**BMN**



EbonyGold screw
 : GSABSS

Type Hex Non-Hex



TSCT**BR**



TSCT**BRN**

Scan Post

- Special post used to scan the position of the implant where space is limited (i.e. thick soft tissue, deeply inserted fixture)
- Connect scan body before scanning
- Use a 1.2 hex driver (torque manually)
- Packing unit : scan post + Ti screw

Scan body + Screw order code

: product code + **TH** (ex : TSCSPR**TH**)

M Mini

R Regular

M

Yellow anodizing screw
: GSABSML



TSCSPM

R

Green anodizing screw
: GSABSSL



TSCSPR

Scan Body

- Scan after connecting to a link abutment for CEREC™, or a scan post
- Packing unit : scan body x 10ea



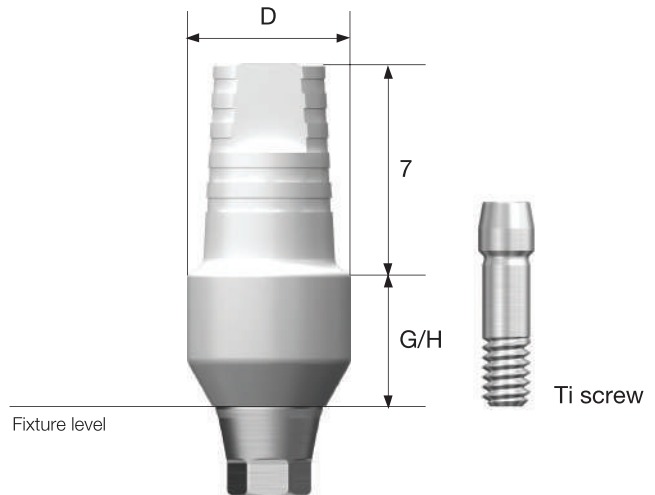
TSCSBS

Quick Temporary Abutment



- Cement/screw-retained prosthesis
- A provisional prostheses for immediate loading
- Prep able and resin friendly
- Use a 1.2 hex driver
- Recommended tightening torque : 20Ncm(mini/regular)
- Packing unit : abutment + Ti screw

Abutment + Ti screw order code
: product code + **TH** (ex : TSQTA5550**TH**)



D Ø4.0



Ti screw
: GSABSMT

G/H Type	1.5		5.0	
	Hex	Non-Hex	Hex	Non-Hex
	TSQTA4015M	TSQTA4015MN	TSQTA4050M	TSQTA4050MN

D Ø4.5



Ti screw
: GSABSMT





G/H Type	1.5		5.0	
	Hex	Non-Hex	Hex	Non-Hex
			TSQTA4550	TSQTA4550N

Quick Temporary Abutment

D Ø4.5



Ti screw
: GSABSST

G/H Type	1.5		5.0	
	Hex	Non-Hex	Hex	Non-Hex
				
	TSQTA4515R	TSQTA4515RN	TSQTA4550R	TSQTA4550RN

TS SYSTEM

D Ø5.5



Ti screw
: GSABSST

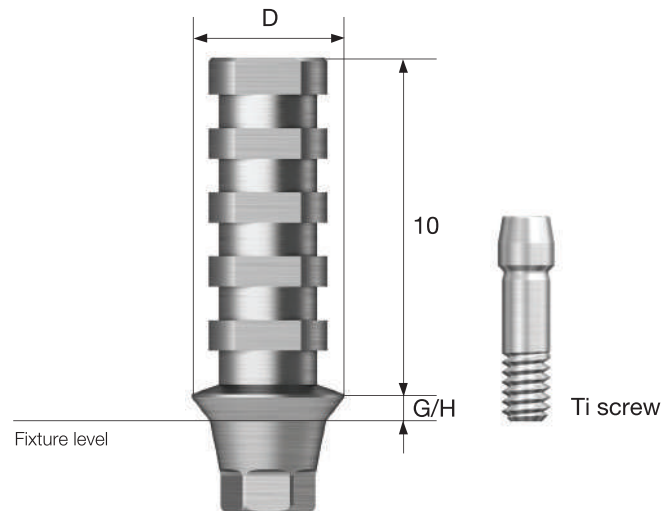
G/H Type	1.5		5.0	
	Hex	Non-Hex	Hex	Non-Hex
	-	-		
	-	-	TSQTA5550	TSQTA5550N

054

Temporary Abutment

- Cement/screw abutment for temporary prosthesis manufacture
- After prep, used to make temporary prosthesis
- Fixture level impression
- Using 1.2 hex driver
- Recommended tightening torque : 20Ncm(mini/regular)
- Packing unit : abutment + Ti screw

Abutment + Ti screw order code
: product code + **TH** (ex : GSTTA4510**TH**)



D Ø4.0



Ti screw
: GSABSMT

G/H Type	1.0		3.0	
	Hex	Non-Hex	Hex	Non-Hex
	GSTTA4010	GSTTA4010N	GSTTA4030	GSTTA4030N

D Ø4.5



Ti screw
: GSABSST

G/H Type	1.0		3.0	
	Hex	Non-Hex	Hex	Non-Hex
	GSTTA4510	GSTTA4510N	GSTTA4530	GSTTA4530N

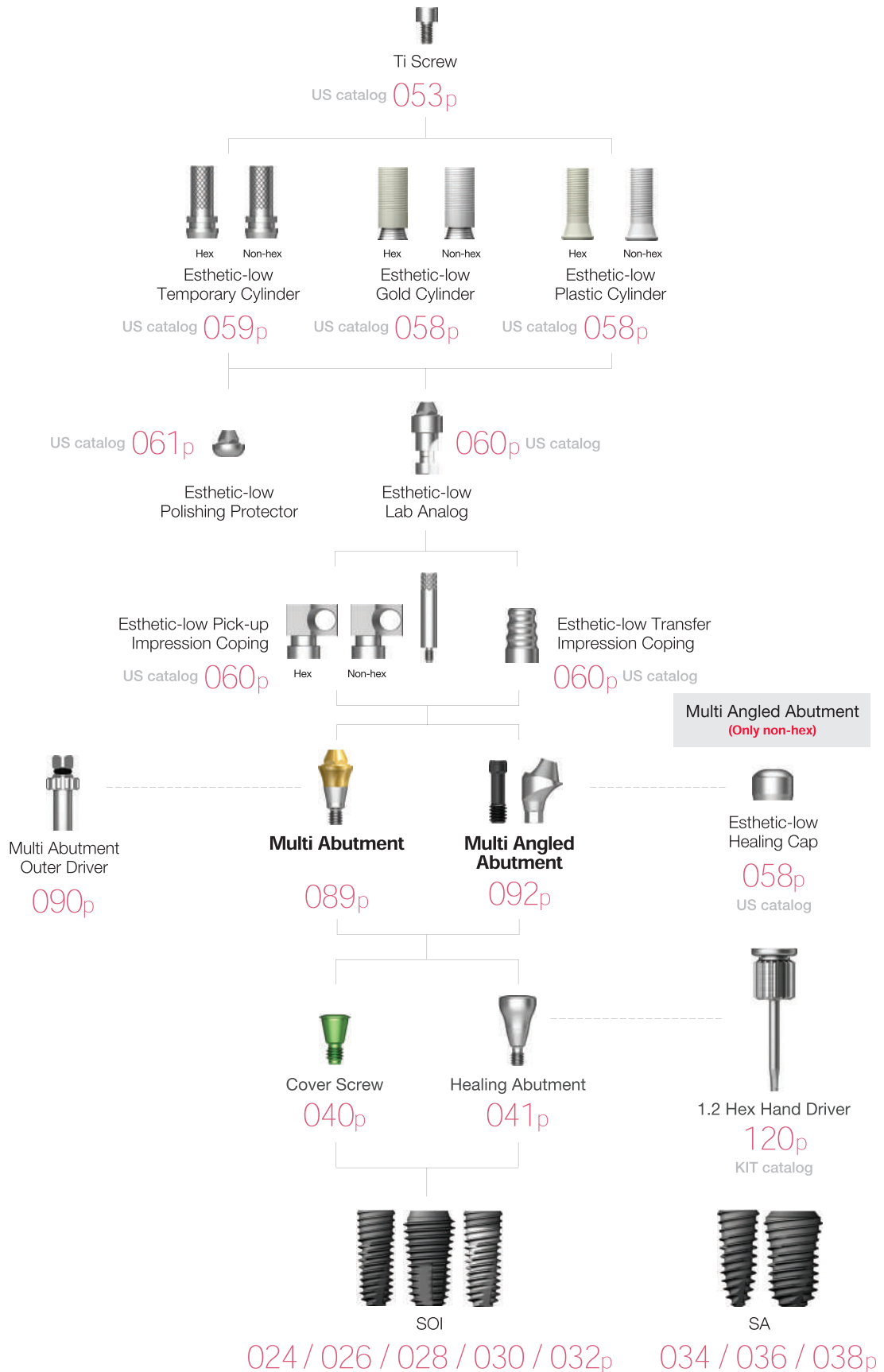
PROSTHETIC FLOW DIAGRAM 4

Multi / Multi Angled

Abutment Level Impression

TS SYSTEM

056

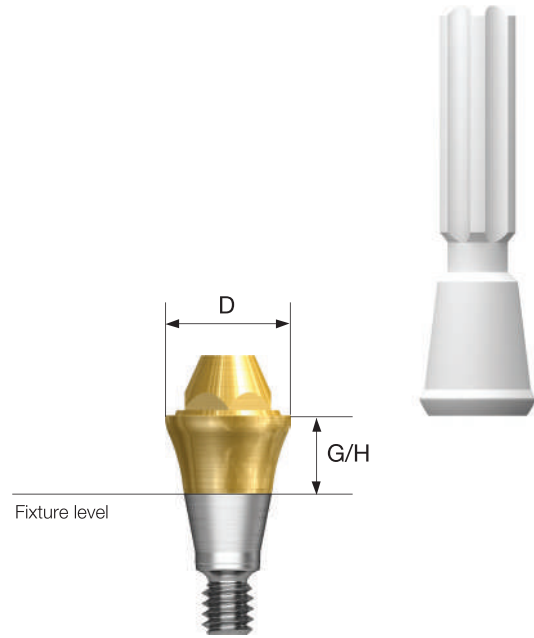


Multi Abutment

- Screw-retained prosthesis for multiple prosthetic options
- Same platform as the multi angled abutment
- Restorative components : US esthetic low cylinder (regular/non-hex)
- Torque using multi abutment outer driver (code : MAOD)
- Recommended tightening torque : 30Ncm(mini/regular)
- Packing unit : abutment + carrier

Abutment + carrier order code

: product code + **P** (ex : TSMA5030**P**)



D Ø4.8



G/H 1.0 2.0 3.0 4.0 5.0



D Ø4.8



G/H 1.0 2.0 3.0 4.0 5.0



Multi Abutment Components

Multi Abutment Outer Driver

- Multi abutment torque driver



MAOD

Multi Abutment Machine Driver

- Multi abutment machine driver



MAMD

Multi Abutment NP-Cast Cylinder

- Used in the manufacture of screw abutment prosthesis in multi abutments
- Used for customized prosthesis by casting with non-precious alloy
- Cylinder's melting temperature : 1400~1550°C
- Using 1.2 hex driver
- Recommended tightening torque : 20Ncm
- Packing unit : cylinder + Ti cylinder screw

Abutment + Ti Screw order Code

: product code + **TH** (ex : TSMN500**TH**)



Regular

D \ Type **Hex** **Non-Hex**



TSMN500



TSMN500N



Multi Combination Cylinder

- Used in the manufacture of combination abutment prosthesis in multi abutment
- Using 1.2 hex driver
- Recommended tightening torque : 20Ncm
- Packing unit : cylinder + Ti cylinder screw

Abutment + Ti screw order Code

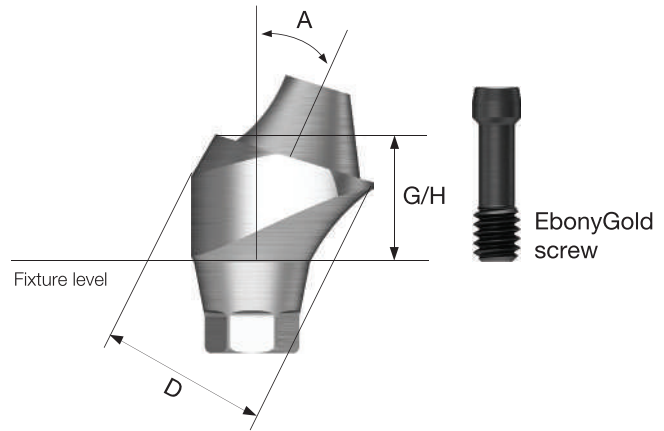
: product code + **TH** (ex : TSMC500**TH**)



D \ Type	Hex	Non-Hex
	 TSMC 500	 TSMC 500N

Multi Angled Abutment

- Screw-retained prosthesis for multiple prosthetic options
- Same platform as the multi angled abutment
- Angle compensation up to 108°
- Restorative components : US esthetic low cylinder (regular/non-hex)
- Abutment screw included
- Use a 1.2 hex driver
- Recommended tightening torque : 20Ncm(mini), 30Ncm(regular)
- Packing unit : abutment + EbonyGold screw



Abutment + EbonyGold screw order code
: product code + **WH** (ex : GS17MAS4840**WH**)

D Ø4.8



EbonyGold screw
: GSMABSM

Angle \ G/H	2.5	3.0	4.0
17°	 GS17MAM4820	 GS17MAM4830	 GS17MAM4840

Angle \ G/H	3.5	4.0	5.0
30°	 GS30MAM4830	 GS30MAM4840	 GS30MAM4850

D Ø4.8



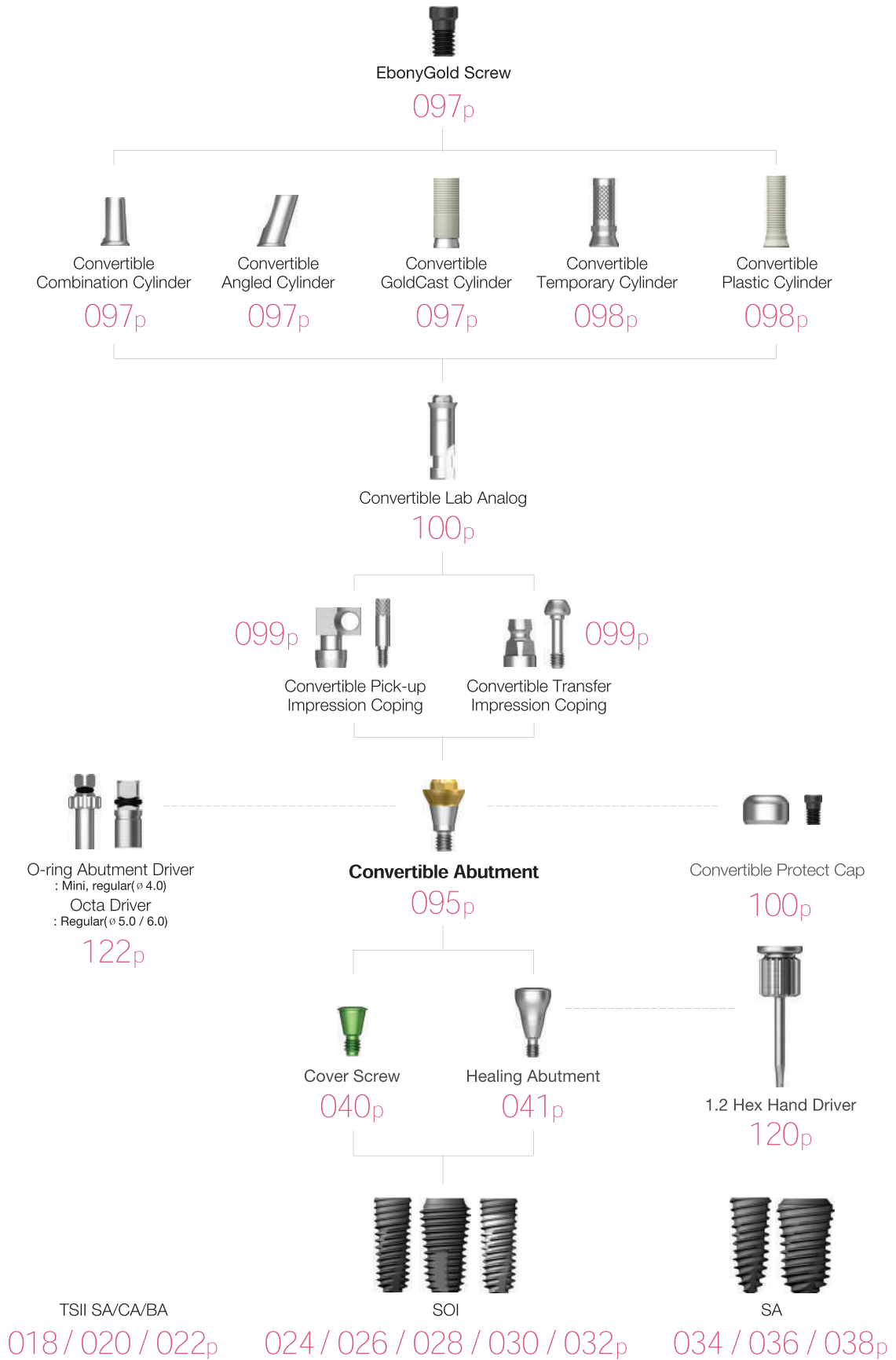
EbonyGold screw
: GSMABSS

Angle \ G/H	2.5	3.0	4.0
17°	 GS17MAS4820	 GS17MAS4830	 GS17MAS4840

Angle \ G/H	3.5	4.0	5.0
30°	 GS30MAS4830	 GS30MAS4840	 GS30MAS4850

Convertible

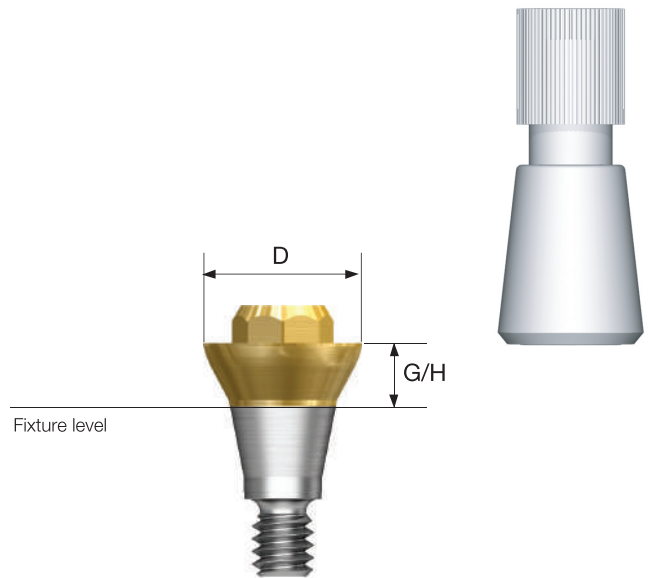
Abutment Level Impression



Convertible Abutment



- Screw-retained prosthesis in multiple scenarios
- Angle compensation up to 60°
- Torque using convertible abutment outer driver
 - \varnothing 4.0 : torque using o-ring abutment driver (code : AORD)
 - \varnothing 5.0/6.0 : torque using octa abutment driver (code : ODSL/ODSS)
- Recommended tightening torque : 30Ncm(mini/regular)
- Packing unit : abutment + carrier



Abutment + carrier order code

: product code + **P** (ex : GSCA5030**P**)

TS SYSTEM

062

D \varnothing 4.0



G/H	1.0	2.0	3.0	4.0	5.0
-----	-----	-----	-----	-----	-----



D \varnothing 4.0



G/H	1.0	2.0	3.0	4.0	5.0
-----	-----	-----	-----	-----	-----



Convertible Abutment

D Ø5.0



G/H 1.0 2.0 3.0 4.0 5.0



GSCA5010



GSCA5020



GSCA5030



GSCA5040



GSCA5050

D Ø6.0



G/H 1.0 2.0 3.0 4.0 5.0



GSCA6010



GSCA6020



GSCA6030



GSCA6040



GSCA6050

Convertible Abutment Components

Convertible Combination Cylinder

- Combination-retained prostheses possible
- Use a 1.2 hex driver
- Recommended tightening torque : 20Ncm
- Packing unit : cylinder + EbonyGold cylinder screw

Abutment + EbonyGold screw order code
: product code + **WH** (ex : GSCC5070**TWH**)



D \ H	Type	7.0		
		Hex	Non-Hex	Octa
Ø 4.0 / Ø 4.0		GSCC4070T	GSCC4070TN	-
Ø 5.0		-	-	GSCC5070T
Ø 6.0		-	-	GSCC6070T

EbonyGold screw
: GSFSM (Ø 4.0 / Ø 4.0)
: GSFSR (Ø 5.0 / Ø 6.0)

Convertible Angled Cylinder

- Combination-retained prosthesis possible
- Angle compensation up to 17°
- Use a 1.2 hex driver
- Recommended tightening torque : 20Ncm
- Packing unit : cylinder + EbonyGold cylinder screw

Abutment + EbonyGold screw order code
: product code + **WH** (ex : GSAC5080**TWH**)



D \ H	Type	8.0		
		Hex	Non-Hex	Octa
Ø 4.0 / Ø 4.0		GSAC4080T	GSAC4080TN	-
Ø 5.0		-	-	GSAC5080T
Ø 6.0		-	-	GSAC6080T

EbonyGold screw
: GSFSM (Ø 4.0 / Ø 4.0)
: GSFSR (Ø 5.0 / Ø 6.0)

Convertible GoldCast Cylinder

- Screw-retained prosthesis
- Customized prosthesis cast with gold alloy
- Cylinder melting point: 1400~1450°C
- Use a 1.2 hex driver
- Recommended tightening torque : 20Ncm
- Packing unit : cylinder + EbonyGold cylinder screw

Abutment + EbonyGold screw order code
: product code + **WH** (ex : GSGC500**WH**)



D \ H	Type	12		
		Hex	Non-Hex	Octa
Ø 4.0 / Ø 4.0		GSGC400	GSGC400N	-
Ø 5.0		-	-	GSGC500
Ø 6.0		-	-	GSGC600

EbonyGold screw
: GSFSM (Ø 4.0 / Ø 4.0)
: GSFSR (Ø 5.0 / Ø 6.0)

Convertible Abutment Components




Convertible Temporary Cylinder

- Provisional prosthesis (Ti Gr-3)
- Use a 1.2 hex driver
- Recommended tightening torque : 20Ncm
- Packing unit : cylinder + Ti cylinder screw

Abutment + Ti screw order code
: product code + **TH** (ex : GSCTC500**TH**)

M Mini

R Regular

D \ H	12			
	Type	Hex	Non-Hex	Octa
				
Ø 4.0 / Ø 4.0	GSCTC400T	GSCTC400TN	-	
Ø 5.0	-	-	GSCTC500T	
Ø 6.0	-	-	GSCTC600T	

EbonyGold screw
: GSFSMT (Ø 4.0 / Ø 4.0)
: GSFSRT (Ø 5.0 / Ø 6.0)




Convertible Plastic Cylinder

- Screw-retained prosthesis
- Customized prosthesis cast with non-precious alloys
- Use a 1.2 hex driver
- Recommended tightening torque : 20Ncm
- Packing unit : cylinder + EbonyGold cylinder screw

Abutment + EbonyGold screw order code
: product code + **WH** (ex : GSCPL500**WH**)

M Mini

R Regular

D \ H	12			
	Type	Hex	Non-Hex	Octa
				
Ø 4.0 / Ø 4.0	GSCPL400	GSCPL400N	-	
Ø 5.0	-	-	GSCPL500	
Ø 6.0	-	-	GSCPL600	

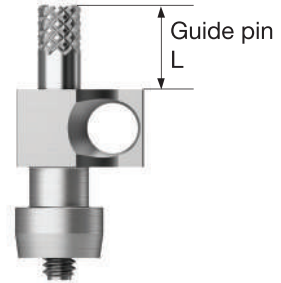
EbonyGold screw
: GSFSM (Ø 4.0 / Ø 4.0)
: GSFSR (Ø 5.0 / Ø 6.0)

Convertible Pick-up Impression Coping

- Components for fixture level impression
- A pick-up impression coping
- Use a 1.2 hex driver (torque manually)
- Packing unit : impression coping body + guide pin(*)

M Mini

R Regular



D \ L

Guide Pin
0 5.0



Ø 4.0 / Ø 4.0
Ø 5.0
Ø 6.0

GSPIC400 (Hex / Yellow)
GSPIC500 (Octa / Silver)
GSPIC600 (Octa / Blue)



GSCGP400S GSCGP400L*
GSCGP500S GSCGP500L*

Convertible Transfer Impression Coping

- Transfer impression coping
- Use a 1.2 hex driver (torque manually)
- Packing unit : impression coping body + guide pin

M Mini

R Regular

Ø 4.0 / Ø 4.0
Ø 5.0
Ø 6.0



GSTIC400 (Hex / Yellow)
GSTIC500 (Octa / Silver)
GSTIC600 (Octa / Blue)

D \

Convertible Abutment Components

Convertible Protect Cap

- Protective cap
- Use a 1.2 hex driver (fastened manually)
- Packing unit : protect cap + EbonyGold screw

Abutment + EbonyGold screw order code
: product code + **WH** (ex : GSCHC500**WH**)

M Mini

R Regular

Ø 4.0 / Ø 4.0
Ø 5.0
Ø 6.0

EbonyGold screw
: GSFSM (Ø 4.0 / Ø 4.0)
: GSFSR (Ø 5.0 / Ø 6.0)

D



GSCHC400 (Hex)	-	-
-	GSCHC500 (Non-Octa)	-
-	-	GSCHC600 (Non-Octa)

Convertible Lab Analog

- A lab analog
- Use a 1.2 hex driver (fastened manually)

M Mini

R Regular

Ø 4.0 / Ø 4.0
Ø 5.0
Ø 6.0

D



GSCLA400 (Hex)	-	-
-	GSCLA500 (Octa)	-
-	-	GSCLA600 (Octa)

Convertible Polishing Protector

- Protects GoldCast/plastic cylinder joints during polishing process
- Use a 1.2 hex driver (torque manually)

M Mini

R Regular

Ø 4.0 / Ø 4.0
Ø 5.0
Ø 6.0

D



GSCPC400 (Hex)	-	-
-	GSCPC500 (Octa)	-
-	-	GSCPC600 (Octa)

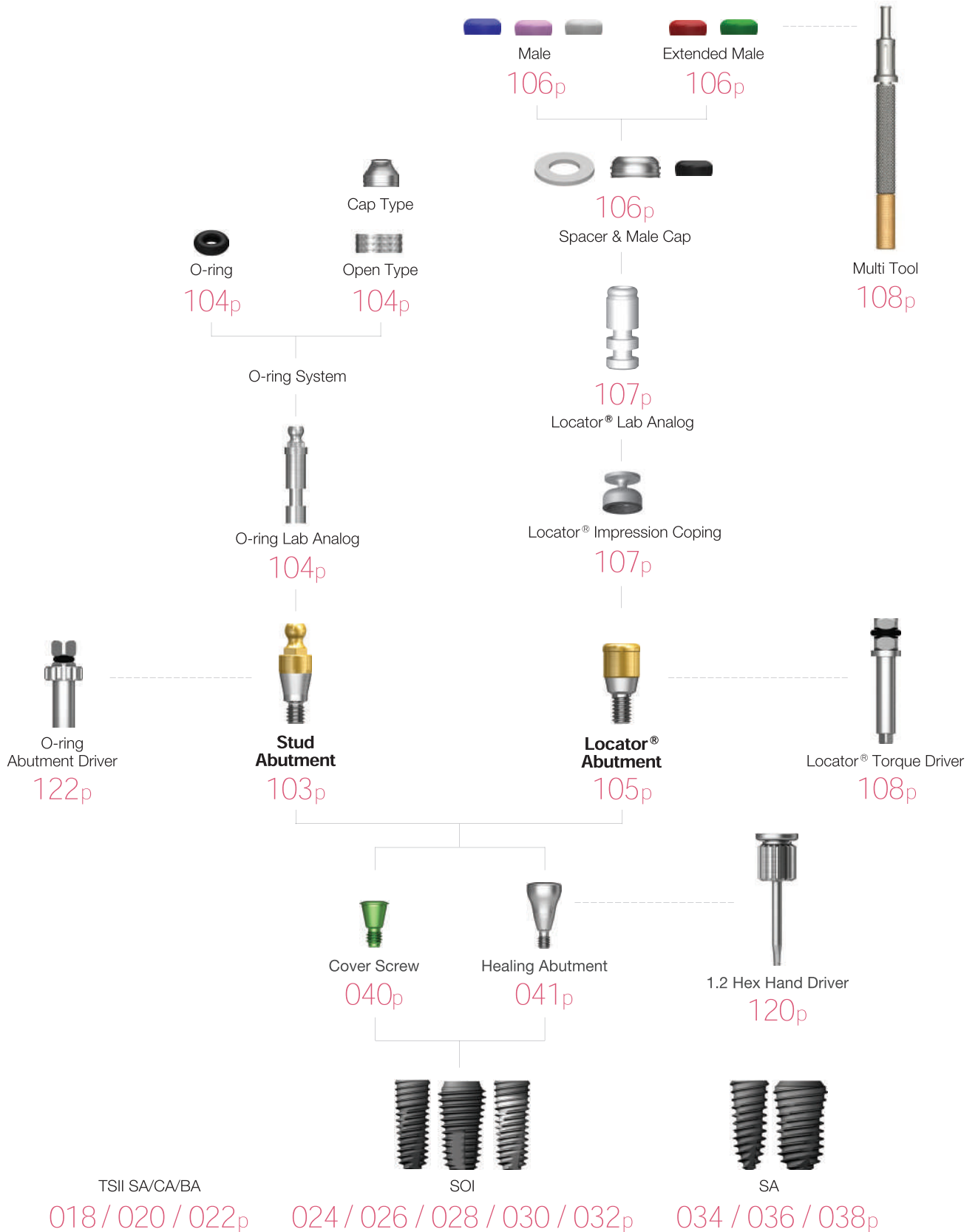
PROSTHETIC FLOW DIAGRAM 6

Stud / Locator®

Overdenture

TS SYSTEM

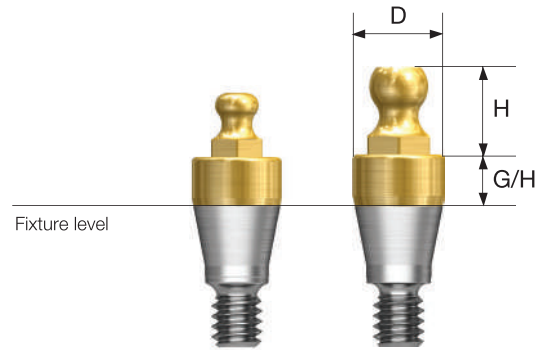
068



Stud Abutment



- Retains overdenture with o-ring system
- Angle compensation up to 20°
- Torque using outer driver (code : AORD)
- Recommended tightening torque : 30Ncm(mini/regular)
- Ball head diameter
 - Small size : \varnothing 1.7 (H 2.5mm)
 - Normal size : \varnothing 2.25 (H 3.4mm)



D \varnothing 3.5



	G/H	1.0	2.0	3.0	4.0	5.0	6.0
Small Size							
Normal Size		GSSAM3510	GSSAM3520	GSSAM3530	GSSAM3540	GSSAM3550	GSSAM3560

D \varnothing 3.5



	G/H	1.0	2.0	3.0	4.0	5.0	6.0
Small Size							
Normal Size		GSSA3510	GSSA3520	GSSA3530	GSSA3540	GSSA3550	GSSA3560

Stud Abutment Components

O-ring Retainer Cap Set

- O-ring housing
- Place appropriate o-ring in the metal housing before connecting to the abutment
- Packing unit : retainer cap + o-ring



RCS01

O-ring Retainer Set

- Used when vertical dimension is shorter than the retainer cap
- Packing unit : retainer cap + o-ring



RS01

O-ring Set

- O-ring set
- Packing unit : o-ring x 5ea



OAON01S

O-ring Lab Analog

- A lab analog for o-ring abutment
- Packing unit : o-ring x 5ea

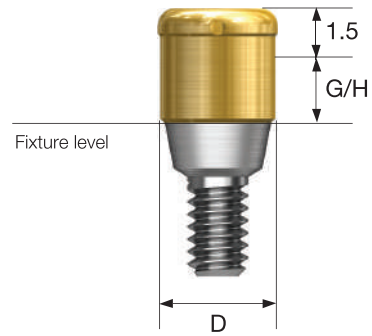


OAL

Locator[®] Abutment



- Genuine zest anchors abutment
- Angle compensation up to 40°
- 1.5mm lower profile, attachment with various and stable retention forces
- Torque using a dedicated outer driver (code : TWLDLK/TWLDLSK)
- Recommended tightening torque : 30Ncm



D Ø3.7

M

G/H 1.0 2.0 3.0 4.0 5.0



D Ø3.7

R

G/H 1.0 2.0 3.0 4.0 5.0



Locator® Abutment Components

Locator® Male Processing Kit

- Components
 - Block out spacer / denture cap connected black processing male
 - Replacement male blue/pink/clear
- A full range of retentive males are included with each denture cap to allow personalized retention for each specific patient
- Locator core tool places and removes nylon retentive males
- Packing unit : 2 sets



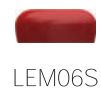
Locator® Replacement Male

- Retention force : approx. 6N
 - Angle compensation up to 20°
 - Packing unit : 4ea
-
- Retention force : approx. 12N
 - Angle compensation up to 20°
 - Packing unit : 4ea
-
- Retention force : approx. 22N
 - Angle compensation up to 20°
 - Packing unit : 4ea



Locator® Extended Replacement Male

- Retention force : approx. 6N
 - Angle compensation up to 20~40°
 - Packing unit : 4ea
-
- Retention force : approx. 12N
 - Angle compensation up to 20~40°
 - Packing unit : 4ea



Locator® Black Processing Male

- A nylon male used in prosthesis fabrication process
- Packing unit : 4ea



LBPS

Locator® Block Out Spacers

- Place block-out spacers on the heads of the locator abutments. Position denture cap with integrated black processing onto the locator abutments. If necessary add additional block-out spacers until no gap is visible between female, block-out spacer and gum.
- Packing unit : 20ea



LBSS

Locator® Impression Coping

- A pick up impression coping
- Closed tray
- Packing unit : 4ea



LICS

Locator® Lab Analog

- A lab analog for locator abutment
- Packing unit : 4ea



LAL40S

Locator[®] Abutment Components

Locator[®] Core Tool

- Places and removes nylon retentive males in the denture cap
- Separates into three different tools, includes a hand driver for locator abutment



LCCT

Locator[®] Torque Driver

- A torque driver

Type

Short

Long



TWLDSK




TWLDLK

OneSeal

OneSeal

- Disposable medical devices for internal filling of superstructure
- Cut to desired length (medical silicone)
- Packing unit : short 10ea / long 5ea

D \ H	Type	50
		Long
		
		TSSE2350

Ø2.35

Scan Healing Abutment

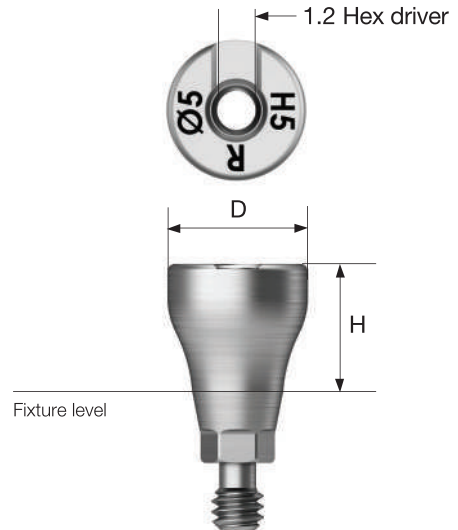
- Healing abutment with scan body function
- Specification by top maker shape (refer to table below)
- Abutment level impression
- Using a carrier, the scan healing abutment can be easily transported in the mouth
- It has screw for each length (not interchangeable)
- Use a 1.2 hex driver (torque manually)
- Packing unit : healing abutment body + screw

Abutment + Ti screw order code

: product code + TH (ex : TSSHA505RTH)

M Mini

R Regular



Matching table

Healing Abutment	H	3.0	4.0	5.0	7.0
Abutment	G/H	1.0	2.0 or 3.0	3.0 or 4.0	5.0 and above
Impression coping	Type	Short	Short	Long	Long

D \ H	3.0	4.0	5.0	7.0
Some cutting on the side				
Ø4.0	TSSHA403M	TSSHA404M	TSSHA405M	TSSHA407M
Ø4.5	TSSHA453M	TSSHA454M	TSSHA455M	TSSHA457M

D \ H	3.0	4.0	5.0	7.0
Cutting to the hole				
Ø4.0	TSSHA403R	TSSHA404R	TSSHA405R	TSSHA407R
Ø4.5	TSSHA453R	TSSHA454R	TSSHA455R	TSSHA457R
Ø5.0	TSSHA503R	TSSHA504R	TSSHA505R	TSSHA507R
Ø6.5	TSSHA603R	TSSHA604R	TSSHA605R	TSSHA607R
Ø7.0	TSSHA703R	TSSHA704R	TSSHA705R	TSSHA707R

Scan Healing Abutment Components

Scan Healing Abutment Carrier

- Scan healing abutment is delivered in the mouth
- Select according to body diameter
- Material : PEEK



H \ D	Ø 4.0	Ø 4.5	Ø 5.0	Ø 6.0	Ø 7.0
9.0	 TSSHAC400	 TSSHAC450	 TSSHAC500	 TSSHAC600	 TSSHAC700

Instructions for Use (AUG. 2017, Ver. 5.5)

Description of Osstem implant system

Osstem Implant is a brand for implant materials for dental practices, and the fixture is made mainly of titanium. The abutment, prosthetic components and tools for the Osstem Implant system are compatible with the Osstem Implant fixture only. Using this product in combination with products from other manufacturers may cause various problems including loosening and fracture due to incomplete locking and compatibility issues. Refer to the manual or the catalogue or our website (www.osstem.com) for details. See the product label for the product code, specifications, manufacturing date, and expiration date.

Sterility

The fixture, cover screw, and healing abutment are cleansed and sterilized with gamma radiation. This product is a disposable sterilized medical device intended for one-time use. In order to prevent contamination or infection of the product or operated site, the product must be used using a sterilized instrument in a sterilized environment. Damaged products, products with open packaging, or expired products must be discarded due to potential risks of contamination, infection, or osseointegration failure. Re-sterilization or re-use of the product may result in infection, osseointegration failure, or implant damage due to reduced accuracy.

Storage condition

Keep the product in a dry place at room temperature(1~30°C). Keep away from direct sunlight.

General precautions

The surgical technology of dental implant involves an expert, complex procedure. Formal training is required to perform implant surgery. Careful considerations must be made before the operation in case of bone disorders (osteoporosis, osteomalacia) or metabolic disorders of the bone.

Precautions

Determine the local anatomy and suitability of the available bone for implant placement. Prepare the implant considering the expected situations and cautions. Excessive occlusal load may cause loosening or fracture of an implant. In order to avoid this condition, the implant must be placed in accurate location and direction considering the relationship between the implant and opposing dentition. Visual inspection as well as panoramic and periapical radiographs are essential to determine anatomical landmarks, occlusal conditions, periodontal status, and the adequacy of the bone. Adequate radiographs, direct palpation, and visual inspection of the implant site are necessary prior to implant surgery.

Procedural precautions

Osstem Implant System is for single and two stage surgical procedures. As much as possible, try to minimize damage to the cell tissue and surgical trauma, pay special attention to maintaining the temperature at the implant site and removal of the source of contamination and infection. All drills and taps must be sufficiently and continuously irrigated for cooling during use. Implant placement should be accomplished at very low speed (25-30 rpm) or manually. Excessive torque (greater than 55Ncm) in the fixture placement can have adverse effects such as partial fracture or necrosis of the bone. Placing an implant tilted by 30° or higher is not recommended due to possible fracture of implant. Immediate loading to the fixture right after the surgery should be avoided. The bone quality and initial stability after fixture placement are important elements in determining the appropriate loading time. Mini-diameter implant or implant with diameter of 4.0 or less and which integrates with angled abutment may be fractured due to limitations of structural rigidity. They are not recommended for use in a posterior area. The Ultra-Wide fixtures are intended to be used only to replace molar teeth and

that angled abutments are not to be used with the Ultra-Wide fixtures. Evaluate the quantity of bone and radiographs to assess any potential anatomical contraindications to use of the Ultra-Wide fixture. For the placement of the Short Implant (diameter is 5mm or more and length is shorter than 7mm) which is used on the molar region only, clinicians should closely examine the patients for any of the following conditions: 1) perimplant bone loss, 2) changes to implant's response to percussion, 3) radiographic changes in bone to implant contact along the implant's length. If a short implant shows mobility or greater than 50% bone loss, the implant should be considered for possible removal. And clinicians should consider a two-stage surgical approach, splinting a short implant to an additional implant, and placement of the widest possible fixture. Allow longer healing periods for osseointegration before fabrication of the prosthesis and avoid immediate loading. Products with diameter of 3.25mm or less must be used exclusively for mandibular anterior teeth in order to prevent fracture due to excessive occlusal load. It is recommended that you should avoid applying HA coated fixture to hard bone, and the insertion torque of the implant should be less than 35Ncm, because cracks or damages might occur in the coated layer during implant placement. The surfaces of CA and SOI have the same physical shape as the SA surface made through blasting and etching treatments. After the SA surface treatment, to prevent the products' exposure to the atmosphere, CA is stored in solution, whereas SOI is stored in water-film coating form; it is designed to maintain the chemically activated state of the SA surface. Thus, CA or SOI products should be implanted in the target region at least within 15 minutes of taking them out of the container.

Warning

The selection of inappropriate patients and surgical methods can cause implant failure or loss of bone supporting the implant. Osstem implants must not be used for purposes other than the recommended use and must not be remodeled. Implant mobility, bone loss, and chronic infection can result in failure of the implant surgery.

Indications for use

The Osstem Implant System is an artificial dental root that has been designed for use in dental implant treatment in order to recover lost teeth. The system is implanted via a surgical method in maxillary or mandibular bone to replace natural dental root. The Osstem Implant System is indicated for use in partially or fully edentulous mandibles and maxillae, in support of single or multiple-units restorations including; cemented retained, screw retained, or overdenture restorations, and final or temporary abutment support for fixed bridgework. It is intended for delayed loading. Products with diameter of 3.25mm or less must be used exclusively for mandibular anterior teeth in order to prevent fracture due to excessive occlusal load.

Side effects

A few problems may occur after the operation (loss of implant stability, damage of prosthesis, etc.). Deficient quality and quantity of the remaining bone, infection, allergic reaction, inferior oral hygiene or uncooperativeness of patient, implant mobility, partial deterioration of tissue, and improper position or arrangement of implants may cause the above mentioned problems.

Contraindications

Contraindications include the following, but are not limited to:

- Patients with hemophilia or difficulties related to bone or wound treatment
- Patients with uncontrollable diabetes, heavy smoker or alcoholic
- Patients whose immunity system is inactive due to chemical therapy or radiation therapy
- Patients with oral infection or inflammation (improper oral hygiene, bruxism)
- Patients with untreatable occlusion/joint disorder, insufficient dental arch space
- Any patient who is not suitable for an surgery

Manufacturer : Osstem Implant Co., Ltd.
203, Geoje-daero, Yeonje-gu, Busan, Korea
TEL 82-51-850-2500 FAX 82-51-861-4693



DEUTSCHE OSSTEM GmbH.
Mergenthalerallee 25
65760 Eschborn, Germany
+49-(0)6196-777-550



Storage condition
Dry place at room temperature



Rx only

For USA only : Federal law restricts this device to sale by or on the order of a dentist



Batch code

Do not resterilize

Caution, Consult accompanying documents

OSSTEM[®]
IMPLANT

OSSTEM[®]
IMPLANT