

The Best Choice for Optimal Care

SM5

- Enhanced power output
- More compact and lightweight
- Constant torque regardless of the RPM

More **PÖWERFÜL!** Ultra-compact Motor

- More powerful compared to INTRAsurg 300 Plus
- Small and light engine motor for reducing surgical fatigue



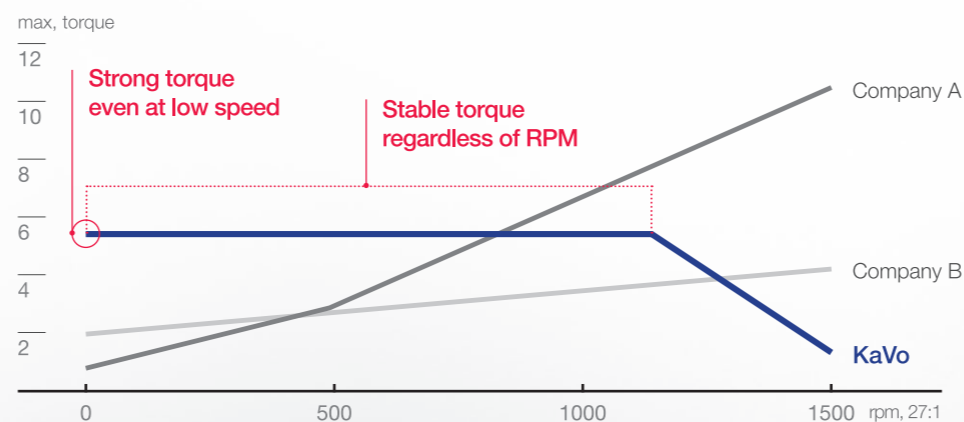
Flexible Tubing

- Thinner tubing for a more flexible operation
- Enhanced durability of the tubing joint



Intelligent Motor Control

- Strong power even at a low speed, regardless of the RPM
- Stable torque maintained at high speed for safe surgery



One-Touch Auto Calibration

- Calibration even for changing the torque of the motor with no additional instrument
- Simple application of the initially-set torque with a touch



Surgical Instruments



S201L* LED
S201C



S201XL LED
S201XC



S11L LED
S11C

Contra angle 20:1

- Round and removable type bur
- Easy maintenance with a removable head
- High durability with an optimized headgear and ball bearing
- Can be used with a small head and internal/external irrigation

Max. speed : 15 ~ 2,000rpm

※ Basic Components : S201L

Straight-angle 1:1

- Can be used with a standard length 44.5mm handpiece bur and contra-angle bur
- Used with external irrigation

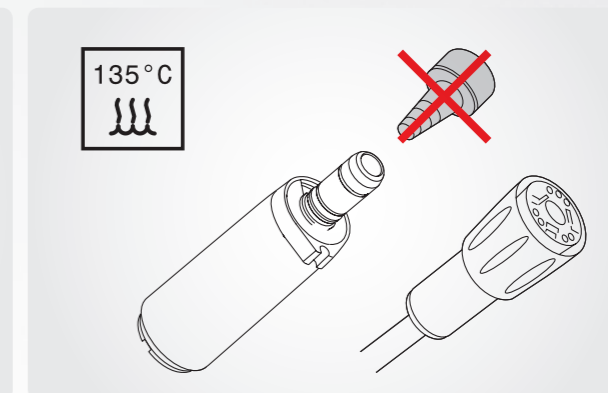
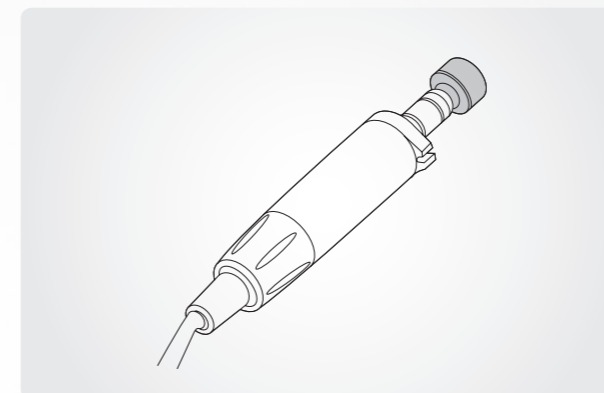
Max. speed : 40,000rpm

Technical Specification

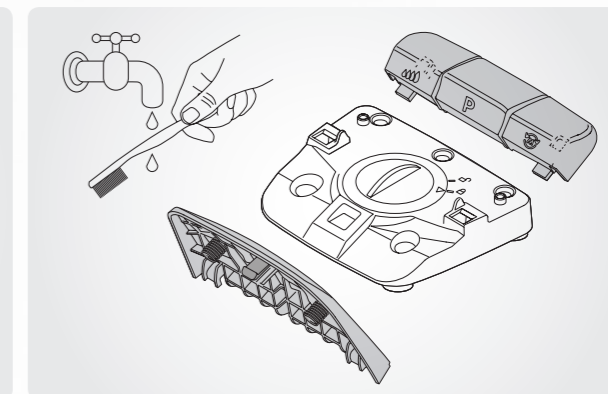
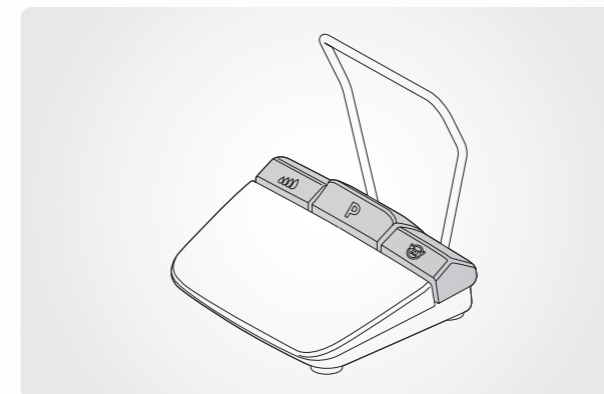
Length x Width x Height	265 x 255 x 100mm
Weight	1.9kg (Foot pedal 1.1kg / Motor 125g)
Input voltage	100 ~ 240v
RPM speed	300 ~ 40,000rpm
Motor max. torque	80Ncm
Pump speed	30 ~ 110ml/min
Cable length	Foot pedal 2.5m / Motor 2m

Easy Maintenance

Easy disinfection with easy motor separation



Easy cleaning with an easily removable foot pedal



- The best performance can be maintained when used with the genuine KaVo Oil Spray.

